



# 19" LCD-TFT Monitor

## DMXX3252/t.b.d.

The 19" LCD-TFT Monitor, built-in 1.000 nits high brightness for sunlight readable display. It offers the best visibility, performance and cost effective value. The high level of brightness together with the optimal contrast ratio renders high quality images and enhances legibility. With

its fast response time and LED backlight technology, the monitor brings remarkable display quality and durability for your applications. Suitable for marine, military, medical, transportation, and industrial application.



### Main Features

- 19" LCD-TFT Monitor
- Sunlight readable
- LED backlight
- High shock and vibration resistance
- Low power consumption
- Wide temperature range
- High uniformity (90%)
- Low EMI noise
- Wide dimming
- Life expectancy (70.000 hrs)

### Technical Specifications

#### Display features

- Description: 19" TFT LCD Monitor, LED Backlight 1000 nits, SXGA
- Display Area: 376.32 x 301.06 mm
- Brightness: 1.000 cd/m<sup>2</sup>
- Resolution: 1.280x1.024 (SXGA)
- Contrast Ratio: 1.000:1
- Pixel Pitch: 0.294(H) x 0.294(V) mm
- Viewing Angle: +80° to -80°(H), +85° to -85°(V)
- Display Colors: 16.7M
- Response Time: 5ms (Typical)
- Power Input: 12VDC
- Power Consumption: 37W
- Dimensions: 451x343.1x58 mm
- Weight: 5.35kg (net)

#### Control Board (Optional)

- Option 1\*: VGA+Audio
- Option 2\*: VGA+DVI
- Option 3\*: VGA+CVBS+S-Video+Audio (Optional DVI/Component)
- Option 4\*: VGA+DVI (Optional S-Video/Component/Audio)

#### F/R Control Button

- 5 Key: Power Switch, Menu, Select (+,-), Auto
- 4 Key: Power Switch, Menu, Select (+,-)

#### OSD Menu

- Brightness, Contrast, H/V Position, Color, Phase, Clock...

#### Optional

- AOT
- TouchScreen
- Waterproof

#### Applications

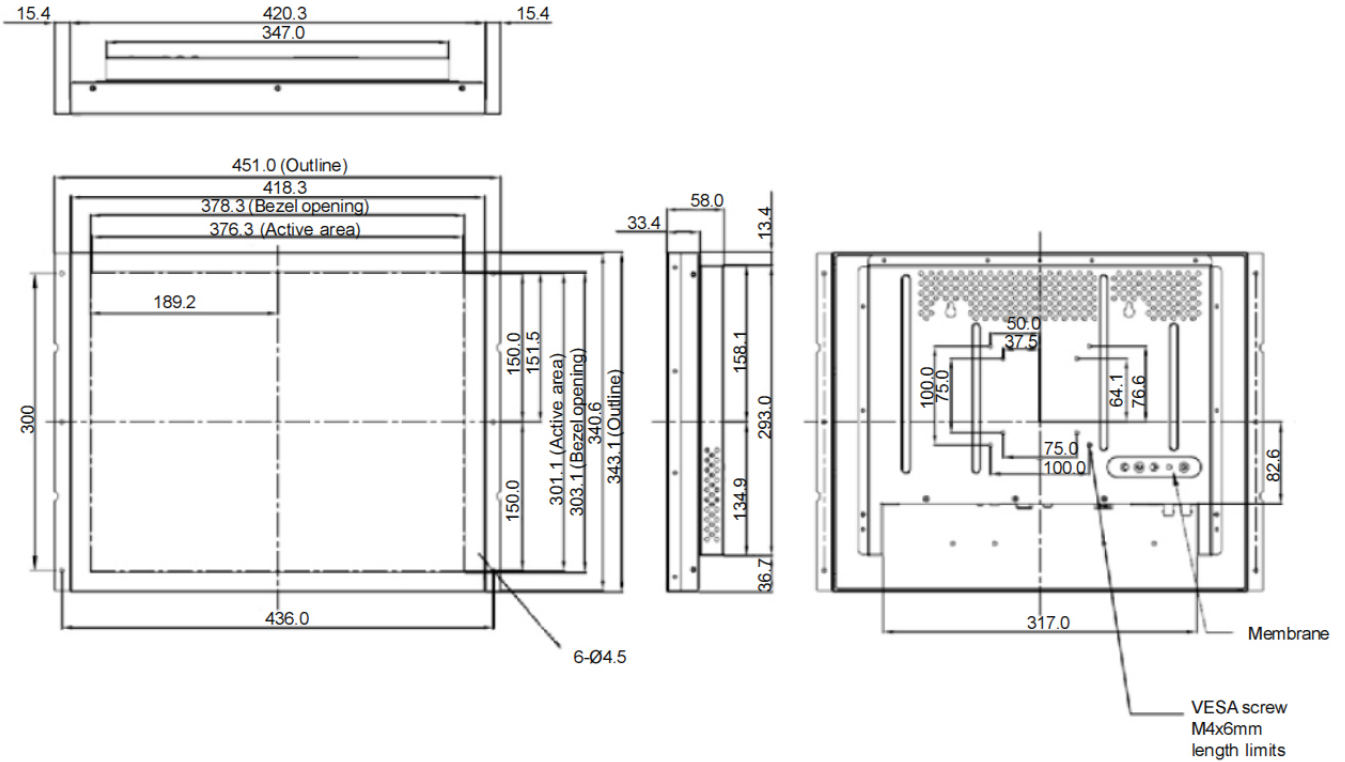
- Marine
- Military
- Medical
- Transportation
- Industrial

# 19" LCD-TFT Monitor

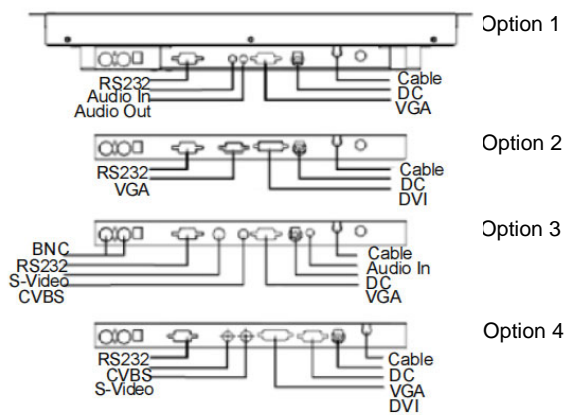
## DMXX3252/t.b.d.



### Dimension Drawing



\*Option 1, 2, 3 and 4



### Ordering Information

t.b.d.	19" LCD-TFT Monitor w/anti-reflection glass LED, 1.000 nits, SXGA resol., VGA, DVI, Video	t.b.d.	19" LCD-TFT Monitor w/anti-reflection glass LED, 1.000 nits, SXGA resol.,VGA, Video, Audio
t.b.d.	19" LCD-TFT Monitor w/o TouchScreen LED, 1.000 nits, SXGA resol., VGA	t.b.d.	19" LCD-TFT Monitor w/o TouchScreen LED, 1.000 nits, SXGA resol., VGA, BNC
DMXX3252	19" LCD-TFT Monitor w/o TouchScreen LED, 1.000 nits, SXGA resol., VGA, DVI		