

# 10,4" TFT Color Monitor

## DMXX8421/DMXX8422



<b>LCD Panel</b>	10.4" TFT
<b>Pixel Pitch</b>	0.264 x 0.264 mm
<b>Resolution</b>	800 x 600 SVGA
<b>Effective Display Area</b>	211.2 x 158.4 mm
<b>Color</b>	262,144
<b>Response Time</b>	10/25 ms
<b>Contrast Ratio</b>	500:1
<b>Brightness</b>	230 cd/m <sup>2</sup>
<b>Viewing Angle</b>	T: 35° B: 65° L: 60° R: 60°
<b>Backlight</b>	1 CCFL
<b>Lamp Life</b>	20000 hrs
<b>Input Signal</b>	Analog VGA & Video (Composite Video System PAL / NTSC / SECAM )
<b>Input Connector</b>	D-Sub 15Pin, BNC Jack, S-VHS Din Type
<b>Scan Frequency</b>	H: 31.5 ~ 48KHz / V: 56 ~ 75Hz
<b>Control</b>	On Screen Display
<b>Power Adaptor</b>	AC 100 ~ 240V, 50 / 60Hz
<b>Power Input</b>	Terminal Block Input DC 12V +/- 5%, 24V ~ 35V / 2A ; 35V +/- 5%
<b>Power Management</b>	VESA DPMS Standard
<b>Consumption</b>	12 W / Stand by 1 W
<b>Temperature/Humidity</b>	Operating: 0°C ~ 50°C / 10% ~ 85% RH Storage: -20°C ~ 60°C / 10% ~ 90%RH
<b>Sync Signal</b>	TTL Level +/- Polarity
<b>Scanning</b>	Non-Interlace
<b>Dimension</b>	270 x 200 x 59 mm ( WxHxD)
<b>Net Weight</b>	2.0 Kg
<b>Safety &amp; EMI</b>	CE (EMC+LVD) / FCC
<b>Vibration</b>	10 Hz / One-way 1m/m
<b>Pixel</b>	50 MHz
<b>Content</b>	LCD Monitor, Key Pad, VGA Cable, Power Adaptor
<b>Optional</b>	TouchScreen Strengthen Glass

### Ordering Information:

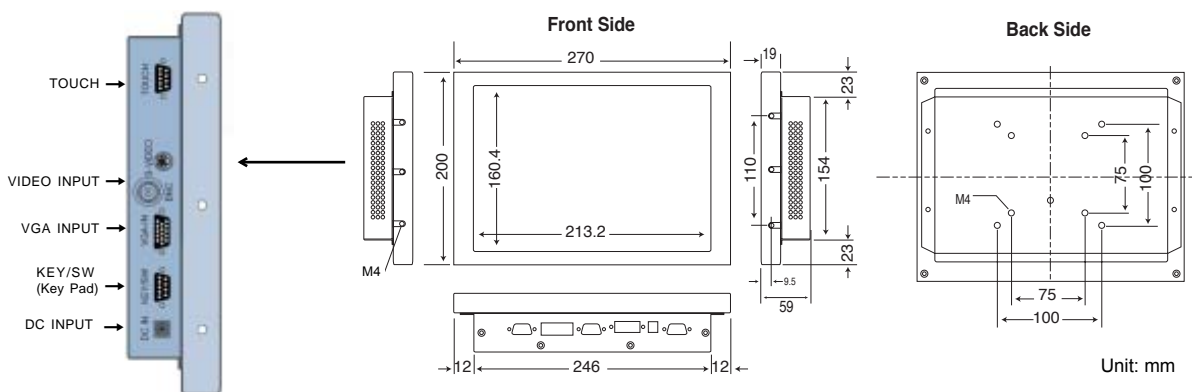
<b>DMXX8421</b>	10.4" TFT-LCD Monitor 800 x 600 VGA/CRT + Video-Composite 230 cd/m <sup>2</sup> , ohne TouchScreen
<b>DMXX8422</b>	10.4" TFT-LCD Monitor 800 x 600 VGA/CRT + Video-Composite 230 cd/m <sup>2</sup> , mit TouchScreen ELO resistiv



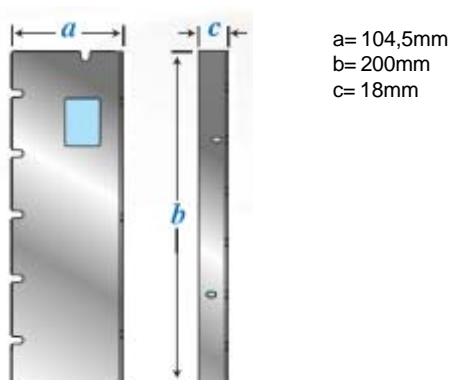
# 10,4" TFT Color Monitor

## DMXX8421/DMXX8422

### Dimensions



### Bracket Size



### Accessories

Standard:

Optional:

