

12,1" TFT Color Monitor

DMXX8431/DMXX8432



LCD Panel	12.1" TFT
Pixel Pitch	0.3075 x 0.3075 mm
Resolution	800 x 600 SVGA
Effective Display Area	246.0 x 184.5 mm
Color	262,144
Response Time	10/25 ms
Contrast Ratio	500:1
Brightness	400 cd/m ²
Viewing Angle	T: 50° B: 60° L: 70° R: 70°
Backlight	2 CCFL
Lamp Life	50.000 hrs
Input Signal	Analog VGA & Video (Composite Video System PAL / NTSC / SECAM)
Input Connector	D-Sub 15Pin, BNC Jack, S-VHS Din Type
Scan Frequency	H: 31.5 ~ 48 KHz / V: 56 ~ 75Hz
Control	On Screen Display
Power Adaptor	AC 100 ~ 240 V, 50 / 60Hz & DC12V
Power Input	Terminal Block Input DC 12V +/- 5%, 24V ~ 35V / 2A ; 35V +/- 5%
Power Management	VESA DPMS Standard
Consumption	12W / Stand by 1 W
Temperature/Humidity	Operating: 0°C ~ 50°C / 10% ~ 85% RH Storage: -20°C ~ 60°C / 10% ~ 90% RH
Sync Signal	TTL Level +/- Polarity
Scanning	Non-Interlace
Dimension	330 x 240 x 55 mm (WxHxD)
Net Weight	3.2 Kg / 3,6Kg with TouchScreen
Safety & EMI	CE (EMC+LVD) / FCC
Vibration	10 Hz / One-way 1m/m
Pixel	50 MHz
Content	LCD Monitor, Key Pad, VGA Cable, Power Adaptor
Optional	TouchScreen Strengthen Glass

Ordering Information:

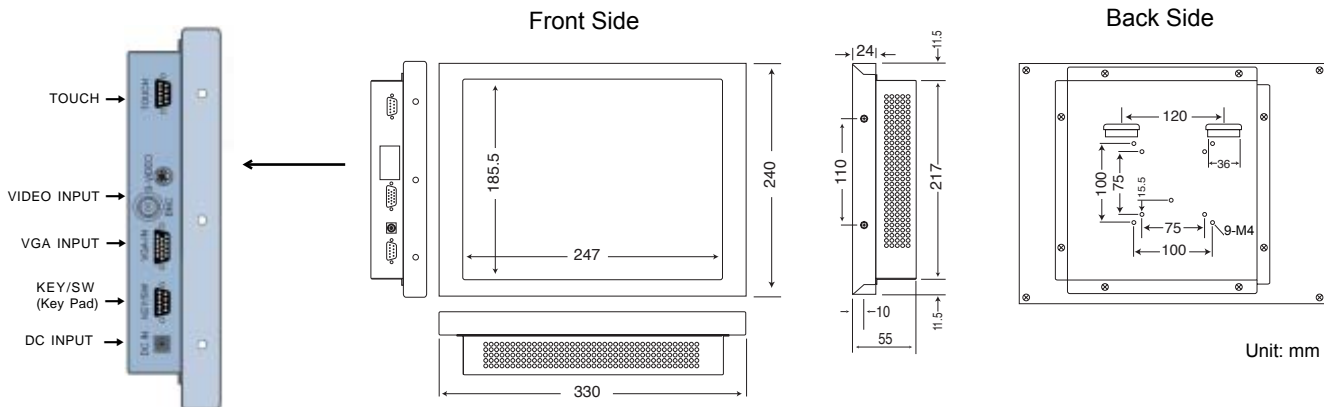
DMXX8431	12.1" TFT-LCD Monitor 800 x 600 VGA/CRT + Video-Composite 400 cd/m ² , ohne TouchScreen
DMXX8432	12.1" TFT-LCD Monitor 800 x 600 VGA/CRT + Video-Composite 400 cd/m ² , mit TouchScreen ELO resistiv



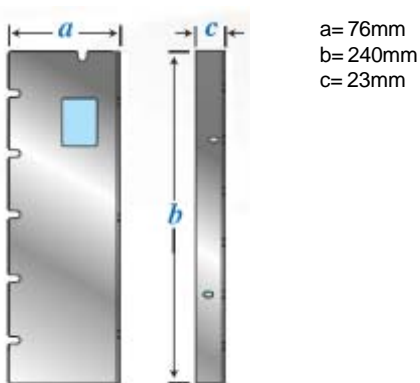
12,1" TFT Color Monitor

DMXX8431/DMXX8432

Dimensions

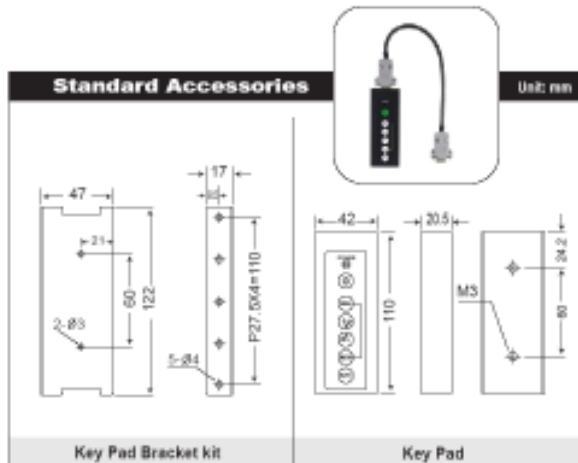


Bracket Size



Accessories

Standard:



Optional:

