

# 15,0" TFT Color Monitor

## DMXX8440/DMXX8446



<b>LCD Panel</b>	15" TFT
<b>Pixel Pitch</b>	0.297 x 0.297 mm
<b>Resolution</b>	1.024 x 768 XGA
<b>Effective Display Area</b>	304.1 x 228.1 mm
<b>Color</b>	266,144
<b>Response Time</b>	4+12 ms
<b>Contrast Ratio</b>	500:1
<b>Brightness</b>	350 cd/m <sup>2</sup>
<b>Viewing Angle</b>	T: 40° B: 60° L: 60° R: 60°
<b>Backlight</b>	2 CCFL
<b>Lamp Life</b>	50000 hrs
<b>Input Signal</b>	Analog VGA & Video (Composite Video System PAL / NTSC / SECAM)
<b>Input Connector</b>	D-Sub 15Pin, BNC Jack, S-VHS Din Type
<b>Scan Frequency</b>	H: 31.5 ~ 60KHz / V: 56 ~ 75Hz
<b>Control</b>	On Screen Display
<b>Power Adaptor</b>	AC 100 ~ 240V, 50/60Hz & DC12V
<b>Power Input</b>	Terminal Block Input DC 12V +/- 5%, 24V ~ 35V / 2A ; 35V +/- 5%
<b>Power Management</b>	VESA DPMS Standard
<b>Consumption</b>	23W / Stand by 1 W
<b>Temperature/Humidity</b>	Operating: 0°C ~ 50°C / 10 % ~ 85% RH Storage: -20°C ~ 60°C / 10% ~ 90% RH
<b>Sync Signal</b>	TTL Level +/- Polarity
<b>Scanning</b>	Non-Interlace
<b>Dimension</b>	379.4 x 285.4 x 57 mm ( WxHxD)
<b>Net Weight</b>	5 Kg
<b>Safety &amp; EMI</b>	CE (EMC+LVD) / FCC
<b>Vibration</b>	10Hz / One-way 1 m/m
<b>Pixel</b>	78.75 MHz
<b>Content</b>	LCD Monitor, Key Pad, VGA Cable, Power Adaptor
<b>Optional</b>	TouchScreen Strengthen Glass

### Ordering Information:

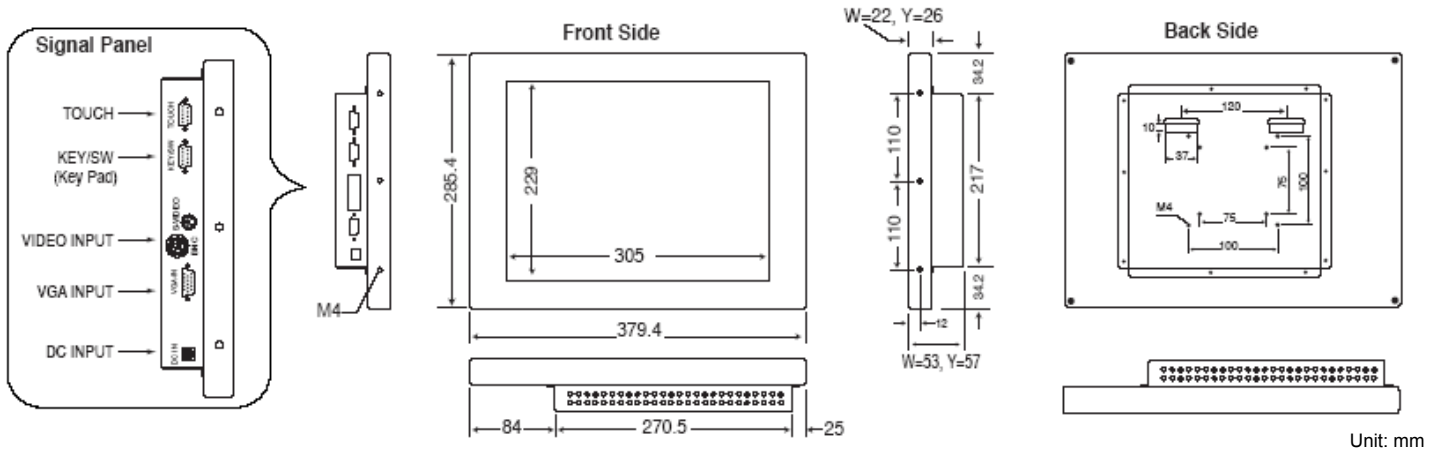
<b>DMXX8440</b>	15.1" TFT-LCD Monitor 1.024 x 768 VGA/CRT + Video-Composite 350cd/m <sup>2</sup> , ohne TouchScreen
<b>DMXX8446</b>	15.1" TFT-LCD Monitor 1.024 x 768 VGA/CRT + Video-Composite 350cd/m <sup>2</sup> , mit TouchScreen ELO resistiv



# 15,0" TFT Color Monitor

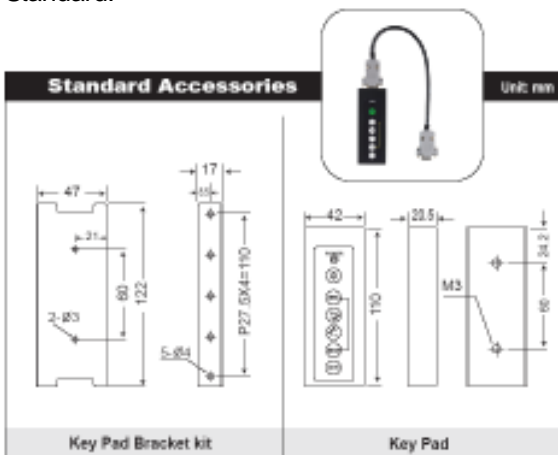
## DMXX8440/DMXX8446

### Dimensions



### Accessories

Standard:



Optional:

