



Automotive Box-PC 6110

PKBX5397/-1/-2/-3

The Automotive Box-PC 6110 is an innovative in-vehicle computer for use in any car, truck, or even for maritime applications. The design itself makes the system available as a complete system allowed the user easily define and build requirements. The Automotive Box-PC 6110 fulfills vehicle industry requirements. The design itself is in compliance with vehicle industrial standard such as eMark. More features required for in-vehicle operations, such as power ignition delay control, low-power protection and SMBus connection, etc., are continued from others in-vehicle computer products. The GPS function navigates drivers to ultimate the fleet management. Optional 802.11b/g/n, 3.5G, and Bluetooth availability make the Automotive Box-PC 6110 ready for wider coverage and future trend. Multiple display connections make the Automotive Box-PC 6110 an ideal choice for in-vehicle signage platforms as well.



Front Side



Rear Side

Main Features

- Build-in Intel® Core™ 2 Duo/Core™ Duo LV processor
- Availability of GSM/GPRS/WCDMA/HSDPA/GPS
- External smart battery back up support
- Power ignition on/off delay control
- Circuitry design for low-power protection

- 6 to 36VDC power input
- 1x PCI-104 expansion slot
- Multiple display interface connections (VGA, DVI-D and LVDS)
- Optional IP65 enclosure

Technical Specification

Main Chipset

- Intel 945GME

CPU

- Support Intel® LV/ULV Core™ 2 Duo, Core™ Duo, Celeron® M family processors
- Intel® Embedded LV/ULV Processor Core™ Duo L2400 (Default)

Memory

- DDR2 533/667 SO-DIMM up to 2GB

Expansion

- 1x PCI/104
- 1x Bluetooth module (optional)
- 2x Mini PCI express socket

Expandable Storage

- 1x 2.5" SATA II HDD
- 1x CF

I/O Interface-Front

- 4x SMA Antenna holes for WLAN, HSDPA, Bluetooth
- 1x Power button
- 1x Reset switch
- 1x SIM Socket
- 1x USB
- 4x LED's for Stand-by, HDD, WLAN/HSDPA and GPO
- 1x Mic-in and 1x Line-out

I/O Interface-Rear

- 2x RS232
- 1x RS232/485 w/ auto flow control
- 1x DB26 LVDS (w/ 12V for backlight power and USB2.0)
- 1x DB15 VGA
- 1x DVI-D
- 2x USB2.0
- 1x 10/100/1000 Ethernet
- 1x Mic-in and 1x Line-out
- 1x SMA antenna hole for GPS
- 1x GPIO (4 input and 4 output)
- 6 to 36VDC thru 3-pin connector (ignition, power + ground)
- +5V/+12VDC output, SMBus 5VDC (1A), 12VDC (1A), without Monitor PKBD1100 5VDC (0.5A), 12VDC (0.5A), with Monitor PKBD1100

Power Management

- Boot-up and shut-down voltage setting selectable for low power protection by software
- Setting 8-level on/off delay time by software
- Status of ignition and low voltage can be detected by software

IP Rating

- IP65 compliant (w/Protection kit)



Automotive Box-PC 6110

PKBX5397/-1/-2/-3



Environment

- Operating Temperature:
 - 30°C to 50°C with CF or Automotive HDD
- Storage Temperature:
 - 40°C to 80°C at relative humidity 10% to 90% non-condensing
- Vibration (w/o vibration kit):
 - 2G at 5-500Hz random with CF
 - 1G at 5-500Hz random with Automotive HDD
- MIL-STD-810F Method 514.5 C-17 Category 20
 - Ground Vehicle-Highway Truck (in operation)
- Shock:
 - Operating: MIL-STD-810F Method 516.5, Procedure I, Trucks and semi trailers=20g
 - Non-Operating: MIL-STD-810F, Method 516.5, Procedure V, Ground equipment=75g

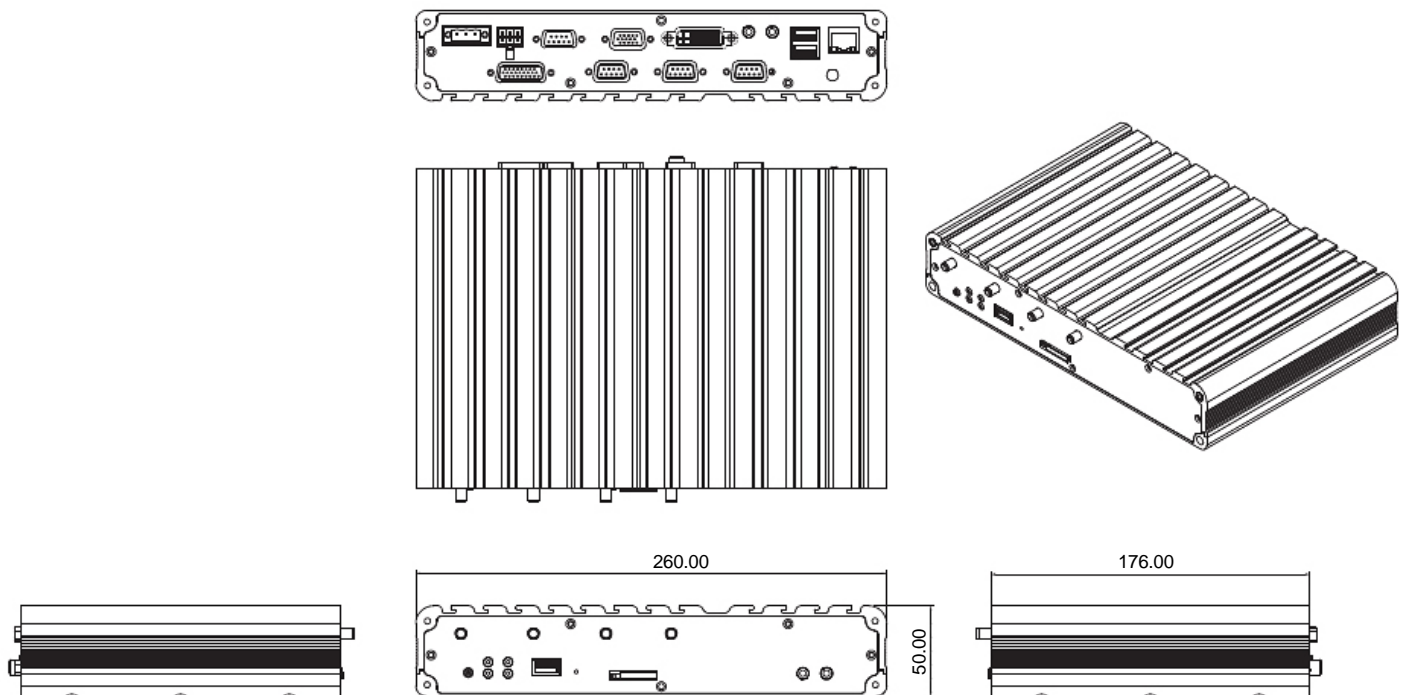
Dimensions and Construction

- 260 x 176 x 50 mm (D x W x H)
- Aluminum chassis with fanless design

Certifications

- CE approval, FCC class B, e13 Mark, EN50155

Dimension Drawing





Automotive Box-PC 6110

PKBX5397/-1/-2/-3

Ordering Information

PKBX5397	Automotive Box-PC 6110 Intel Core Duo L2400 1.66GHz, 1GB DDR2 RAM	PKBX5397-2	Automotive Box-PC 6110 Intel Core 2 Duo U7500 1.06GHz, 1GB DDR2 RAM
PKBX5397-1	Automotive Box-PC 6110 Intel Core 2 Duo L7400 1.50GHz, 1GB DDR2 RAM	PKBX5397-3	Automotive Box-PC 6110 Intel Celeron M 423 1.06GHz, 1GB DDR2 RAM

Options



PKBD1100



PKBD2000



PKBZ3002-1



PKBZ3003



PKBZ3022

PKBD1100	DeltaTerminal 8.4" LCD-TFT f. Automotive Box-PC3300+6xxx sunlight readable, with touchscreen, surface-mount	PKBZ3002-1	Back-up Battery kit for 4 Hours in system full load for Automotive Box-PC 6100
PKBD2000	DeltaTerminal 8.4" SVGA 800x600 Alu-chassis w/ TouchScreen for Automotive Box-PC 3300E/6000	PKBZ3003	Fan-and Antivibrationskit for Automotive Box-PC 3300E and 6xxx
		PKBZ3022	Protection Kit for Automotive Box-PC 6100 IP65 protection-Kit for anti-dust and anti-water