

DeltaTablet-PC2100-E-Rugged

PKHS1210-2/1210-3/1211-2



The DeltaTablet-PC 2100-E-Rugged, an 8.4" semi-rugged tablet PC, provides a daylight readable display and built-in GPS receiver. The display with low reflection touch increases its readability during the daylight. With along GPS receiver and optional 3.5G WWAN

module built-in together, the DeltaTablet-PC2100-E-Rugged extremely fit for the outdoor application. The system can also be utilized in fleet management and logistical management via variety vehicle mount.



Main Features

- Fanless design with low power consumption processor
- Daylight readable display with auto dimming
- Dust and water protection for IP54 compliance
- Integrated GPS module
- Built-in 1D/2D Laser Barcode Scanner or RFID (Optional)
- Compliant with MIL-STD-810F
- Variety Wireless Connectivity (Bluetooth/WLAN/WWAN)

Technical Specifications

CPU Support

- Intel® Atom™ processor 1.1/1.6GHz with 512 KB on-die L2 cache, 400MHz/533MHz FSB

Chipset

- Intel® System Controller Hub US15W (single chip integrated graphics and I/O controller)

Memory

- 1GB DDR2 SODIMM 667MHz support up to 2GB (optional)

Storage

- 8GB Solid State Drive/ SATA interface, up to 64GB (optional)

Audio

- ALC888-VC2-GR HD Codec
- AC97 Compatible
- 2x 2w built-in speaker
- 1x external Mic-in and 1x external Line-out

Display

- 8.4" TFT LCD with CCFL backlight
- Resolution: 800x600 (SVGA)
- Luminance: 400 nits
- Contrast Ratio: 500:1
- Touch Screen: Analog Resistive 4 daylight readable wire touch screen
- Auto dimming via ambient light sensor

I/O

- 2x external USB 2.0 port; 1x Mini USB (client)
- 1x Mic-in and 1x Line-out
- 1x 19VDC power input

Communication

- Bluetooth module class 2 v2.1 + EDR
- IEEE 802.11 b/g/n Wi-Fi module with built-in antenna
- WWAN support of GSM/GPRS/HSDPA/WCDMA (optional)

Data Capture

- GPS receiver with built-in internal antenna
- 2M pixel CMOS camera
- HF RFID reader compliant with ISO14443A/B and ISO 15693 (optional)
- 1D/2D laser barcode engine (optional)
- Fingerprint Sensor

Indicators and Buttons

- Four LED indicator - Power on/off, Battery, WLAN and HDD
- Four Programmable Function Keys
- Five Buttons - navigation key, power button, wireless switch button, camera shot button and barcode scanner button

Power Input

- Power Input Voltage: DC 19V/3.42A
- Power Output: 65W (Max)
- Rechargeable Lithium Ion Smart Battery Pack: 2600 mAh@11.1V, 28.86W

Dimensions and Weight

- 289 x 214 x 46 mm (W x H x D) with Rubber
- 280 x 205 x 37 mm (W x H x D) without Rubber
- Weight: 1.65Kg with Rubber; 1.35Kg without Rubber

Enclosure

- Plastic housing (ABS + PC)
- Color: BlackEnvironment

Environment

- Operating Temp: -20°C to 50°C
- Storage Temp: -30°C to 60°C
- Rel. Humidity: 5% to 95%

Rugged Grade

- IP 54
- 4-feet drop to polywood
- compliance with MIL-STD-810F

DeltaTablet-PC2100-E-Rugged

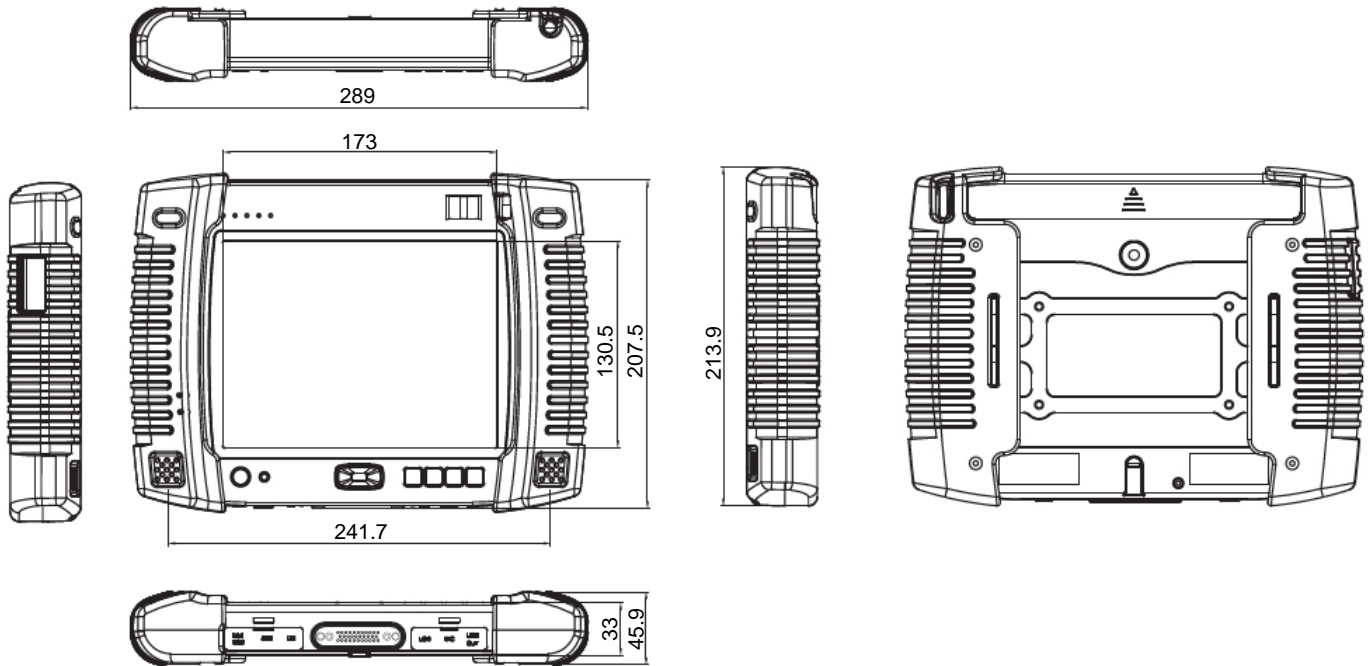
PKHS1210-2/1210-3/1211-2



Certifications

- CE approval
- FCC Class B

Dimension Drawing



Front and rear view



Ordering information

PKHS1210-2 DeltaTablet-PC2100-E-Rugged, 8.4" Touch, SR
Intel Atom processor 1.1GHz, 1GB RAM, 60GB HDD

PKHS1210-3 DeltaTablet-PC2100-E-Rugged, 8.4" Touch, SR
Intel Atom processor 1.1GHz, 1GB RAM, 8GB SSD

PKHS1211-2 DeltaTablet-PC2100-E-Rugged, 8.4" LCD-TFT Touch
Intel Atom processor 1.6GHz, 1GB RAM, 8GB SSD