

DeltaTablet-PC2000-E-Rugged

PKHS1230-1



The DeltaTablet-PC 2000-E-Rugged is an 8.4" semi-rugged tablet PC with low power consumption processor. Its fanless design with IP54 rating sustains the system more durable in harsh environment. The system with built-in camera and optional to equip with RFID reader and barcode

engine is suitable to apply in the service field such as warehouse management and factory process management. With these data capture features, it can assist in improving the efficiency to increase productivity.



Main Features

- Fanless Design with low power consumption processor
- Automatic backlight adjustment via light sensor
- Built-in 1D/2D Laser Barcode Scanner or RFID (optional)
- Rugged Design to withstand Shock and vibration
- Compliant with MIL-STD-810F
- Dust and water protection for IP54 compliance
- Variety Wireless Connectivity (Bluetooth/WLAN/WWAN)

Technical Specifications

CPU Support

- Intel® Atom™ processor 1.1GHz with 512 KB on-die L2 cache, 400MHz/533MHz FSB

Chipset

- Intel® System Controller Hub US15W (single chip integrated graphics and I/O controller)

Memory

- 1GB DDR2 SODIMM 667MHz support up to 2GB (optional)

Storage

- 8GB Solid State Drive/SATA interface, up to 64GB (optional)

Audio

- ALC888-VC2-GR HD Codec
- AC97 Compatible
- 2x 2w built-in speaker
- 1x external Mic-in and 1x external Line-out

Display

- 8.4" transmissive TFT LCD with CCFL backlight support
- 800x600 SVGA or 1024x768 resolution via driver (virtual mode)
- Resolution: 800x600 (SVGA)
- Luminance: 400 nits
- Contrast Ratio: 500:1
- Touch Screen: Analog Resistive 4 wire touch screen
- Auto dimming via ambient light sensor

I/O

- 2x USB 2.0 port; 1x Mini USB (client)
- 1x Finger Printer Sensor
- 1x Mic-in and 1x Line-out
- 1x 19VDC power input

Communication

- IEEE 802.11 b/g/n Wi-Fi module with built-in antenna
- Bluetooth module class 2 v2.1 + EDR (optional)
- WWAN support of GSM/GPRS/HSDPA/WCDMA (optional)

Data Capture

- GPS receiver with built-in internal antenna (optional)
- 2M pixel CMOS camera
- HF RFID reader compliant with ISO14443A/ B and ISO 15693 (optional)
- 1D/2D laser barcode engine (optional)
- Fingerprint Sensor

Indicators and Buttons

- Four LED indicator - Power on/off, Battery, WLAN and HDD
- Four Programmable Function Keys
- Five Buttons - navigation key, power button, wireless switch button, camera shot button and barcode scanner button

Power Input

- Power Input Voltage: DC 19V/3.42A
- Power Output: 65W (Max)
- Rechargeable Lithium Ion Smart Battery Pack: 2600 mAh@11.1V, 28.86W

Dimensions and Weight

- 289 x 214 x 46 mm (W x H x D) with Rubber
- 280 x 205 x 37 mm (W x H x D) without Rubber
- Weight: 1.65Kg with Rubber; 1.35Kg without Rubber

Enclosure

- Plastic housing (ABS + PC)
- Color: BlackEnvironment

Environment

- Operating Temp: -20°C to 50°C
- Storage Temp: -30°C to 60°C
- Rel. Humidity: 5% to 95%

Rugged Grade

- IP 54
- 4-feet drop to polywood
- compliance with MIL-STD-810F

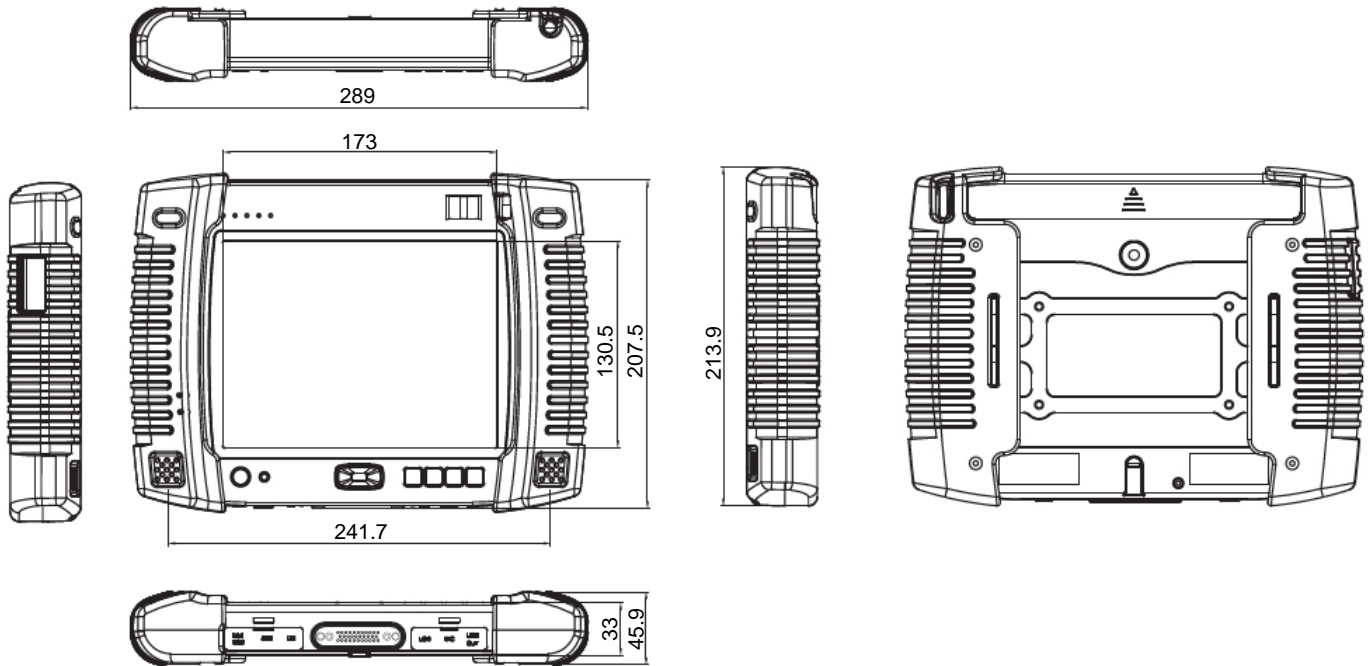
DeltaTablet-PC2000-E-Rugged PKHS1230-1



Certifications

- CE approval
- FCC Class B

Dimension Drawing



Front and rear view



Ordering Information

PKHS1230-1 DeltaTablet-PC2000-E-Rugged, 8.4" LCD-TFT Touch
Intel Atom processor 1.1GHz, 1GB RAM, 8GB SSD