

# DeltaTablet-PC2200-Rugged

## PKHS1240



The DeltaTablet-PC2200-Rugged is an 8" semi-rugged tablet PC with low power consumption processor. Based on the fanless design and IP54 rating, it can survive in the industrial environment. It retains the same features as the DeltaTablet-PC2200-Rugged provides but improves the battery design. No need to completely power off the

system, while replacing the battery. It means you can replace the battery through stand by. Moreover, there is one option for battery hot swap. It is right for the mobile worker to easily replace the battery pack without screw. With these two more features, the DeltaTablet-PC2200-Rugged can be applied in the field service for mobile engineers.



### Main Features

- 8" LCD with 5-wires resistive TouchScreen
- Intel® Atom™ N450 1.6GHz processor
- Wireless LAN support Wi-Fi 802.11 b/g/n
- WWAN support GSM/GPRS/HSDPA/WCDMA (optional)
- Integrated GPS module (optional)
- Integrated Laser Barcode Scanner (1D/2D) or HF Type RFID (Optional)
- Integrated 2M Pixel Camera in rear or in front bezel (optional)
- Battery life sustains for over 4-6 hours
- Compliant with IP54 and MIL-STD-810F

### Technical Specifications

#### CPU Support and Chipset

- CPU Support: Intel® Atom™ N450 1.6GHz processor, 667MHz FSB
- Chipset: Intel® System Controller Hub ICH8M

#### Memory

- 1GB DDR2 SDRAM 667MHz, support up to 2GB (optional)

#### Storage

- 8GB Solid State Drive/SATA interface, support up to 64GB

#### Audio

- Intel® high definition audio
- AC97 Compatible
- 2x 2W built-in speakers
- 1x external Mic-in and 1x external Line-out
- 1x Internal Microphone

#### Display

- 8" TFT LCD with LED backlight
- Resolution: 800x600 pixels (SVGA)
- Luminance: 320 nits
- Contrast Ratio: 500:1
- 5-wire resistant TouchScreen
- Auto dimming via ambient light sensor

#### I/O

- 2x USB 2.0 type A port; 1x mini USB connector
- 1x MIC-in
- 1x Line-out
- 1x 19VDC power input
- 1x Docking connector

#### Communication

- IEEE 802.11 b/g/n Wi-Fi module with built-in antenna
- Bluetooth module class 2 v2.1 + EDR (optional)
- WWAN support of GSM/GPRS/HSDPA/WCDMA (optional)

#### Data Capture

- GPS receiver with built-in internal antenna (optional)
- 2M pixel CMOS camera
- HF RFID reader compliant with ISO14443A/B and ISO 15693 (optional)
- 1D/2D laser barcode engine (optional)
- Fingerprint Sensor

#### Indicators and Buttons

- Four color LED indicators - Power on/off, Battery, WLAN and HDD
- Four Programmable Function Keys
- Five Buttons - navigation key, power button, wireless switch button, camera shot button and barcode scanner button

#### Power Input

- Power Input Voltage: DC 19V/3.42A
- AC adapter: 100-240VAC, 50/60Hz
- Rechargeable Lithium Ion Smart Battery Pack: 2.600mAh @ 11.1V, 28.86W/hr, support hot swap (optional)

#### Dimensions and Weight

- 296 x 214 x 50 mm (W x H x D) with Rubber
- 280 x 205 x 37 mm (W x H x D) without Rubber
- Weight: 1.44kg with Rubber; 1.2kg without Rubber

#### Enclosure

- Plastic housing (ABS + PC)
- Color: BlackEnvironment

#### Environment

- Operating Temp: -20°C to 50°C
- Storage Temp: -30°C to 60°C
- Rel. Humidity: 5% to 95%

# DeltaTablet-PC2200-Rugged

## PKHS1240



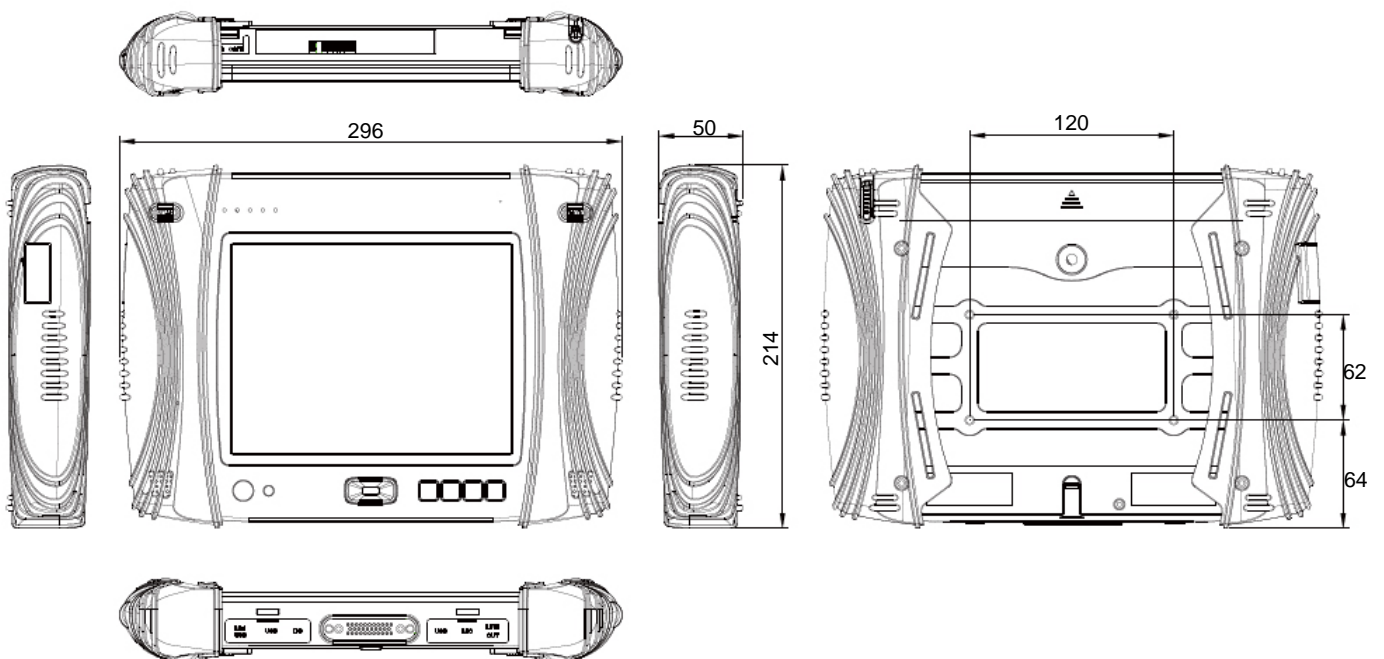
### Rugged Grade

- IP 54
- 3-feet drop to polywood
- compliance with MIL-STD-810F

### Certifications

- CE approval
- FCC Class B

### Dimension Drawing



### Ordering information

PKHS1240 DeltaTablet-PC2200-Rugged, 8" LCD-TFT Touch  
Intel Atom N450 1.6GHz, 1GB RAM, 8GB SSD