

# DeltaTablet-PC2300-Rugged

## PKHS1250/-1



The DeltaTablet-PC2300-Rugged, an 8" semi-rugged tablet PC, is an advance version of the DeltaTablet-PC2300-Rugged. The DeltaTablet-PC2300-Rugged adapts the low power consumption processor, Intel® N450, and integrates an 8" daylight readable display and GPS receiver. It also provides the easy access of battery pack without screw and

an option for battery hot swap. The DeltaTablet-PC2300-Rugged can be applied not only in logistical management and vehicle application, but also suits for the mobile engineers working at outdoor through vary wireless connectivity. It is built with the rugged design, compliant with MIL-STD-810F and IP54 rating, to withstand in the harsh environment.



### Main Features

- Fanless design with low power consumption processor and daylight readable display
- Wireless connectivity of WLAN/WWAN/Bluetooth
- WWAN support GSM/GPRS/HSDPA/WCDMA (optional)
- Integrated GPS receiver with built-in antenna
- Integrated Laser Barcode Scanner (1D/2D) or HF RFID (optional)
- Optional battery hot swap support
- IP54 compliance for dust and water protection
- Compliant with MIL-STD-810F

### Technical Specifications

#### CPU Support

- Intel® Atom™ N450 1.6GHz processor, 667MHz FSB

#### Chipset

- Intel® System Controller Hub ICH8M

#### Memory

- 1GB DDR2 SODIMM 667MHz, support up to 2GB (optional)

#### Storage

- 8GB Solid State Drive/SATA interface, support up to 64GB or 120GB 1.8" HDD/SATA interface

#### Audio

- Intel® high definition audio
- AC97 Compatible
- 2x 2W built-in speakers
- 1x external Mic-in and 1x external Line-out
- 1x Internal Microphone

#### Display

- 8" TFT LCD with LED backlight
- Resolution: 800x600 pixels (SVGA)
- Luminance: 400 nits
- Contrast Ratio: 500:1
- 5-wire resistant daylight readable TouchScreen
- Auto dimming via ambient light sensor

#### I/O

- 2x USB 2.0 type A port; 1x mini USB connector
- 1x MIC-in
- 1x Line-out
- 1x 19VDC power input
- 1x Docking connector

#### Communication

- IEEE 802.11 b/g/n Wi-Fi module with built-in antenna
- Bluetooth module class 2 v2.1 + EDR
- WWAN support of GSM/GPRS/HSDPA/WCDMA (optional)

#### Data Capture

- GPS receiver with built-in internal antenna
- 2M pixel CMOS camera
- HF RFID reader compliant with ISO14443A/B and ISO 15693 (optional)
- 1D/2D laser barcode engine (optional)
- Fingerprint Sensor

#### Indicators and Buttons

- Four color LED indicators - Power on/off, Battery, WLAN and HDD
- Four Programmable Function Keys
- Five Buttons - navigation key, power button, wireless switch button, camera shot button and barcode scanner button

#### Power Input

- Power Input Voltage: DC 19V/3.42A
- AC adapter: 100-240VAC, 50/60Hz
- Rechargeable Lithium Ion Smart Battery Pack: 2.600mAh @ 11.1V, 28.86W/hr, support hot swap (optional)

#### Dimensions and Weight

- 296 x 214 x 50 mm (W x H x D) with Rubber
- 280 x 205 x 37 mm (W x H x D) without Rubber
- Weight: 1.44kg with Rubber; 1.2kg without Rubber

#### Enclosure

- Plastic housing (ABS + PC)
- Color: BlackEnvironment

#### Environment

- Operating Temp: -20°C to 50°C
- Storage Temp: -30°C to 60°C
- Rel. Humidity: 5% to 95%

#### Rugged Grade

- IP 54
- 3-feet drop to polywood
- compliance with MIL-STD-810F

# DeltaTablet-PC2300-Rugged

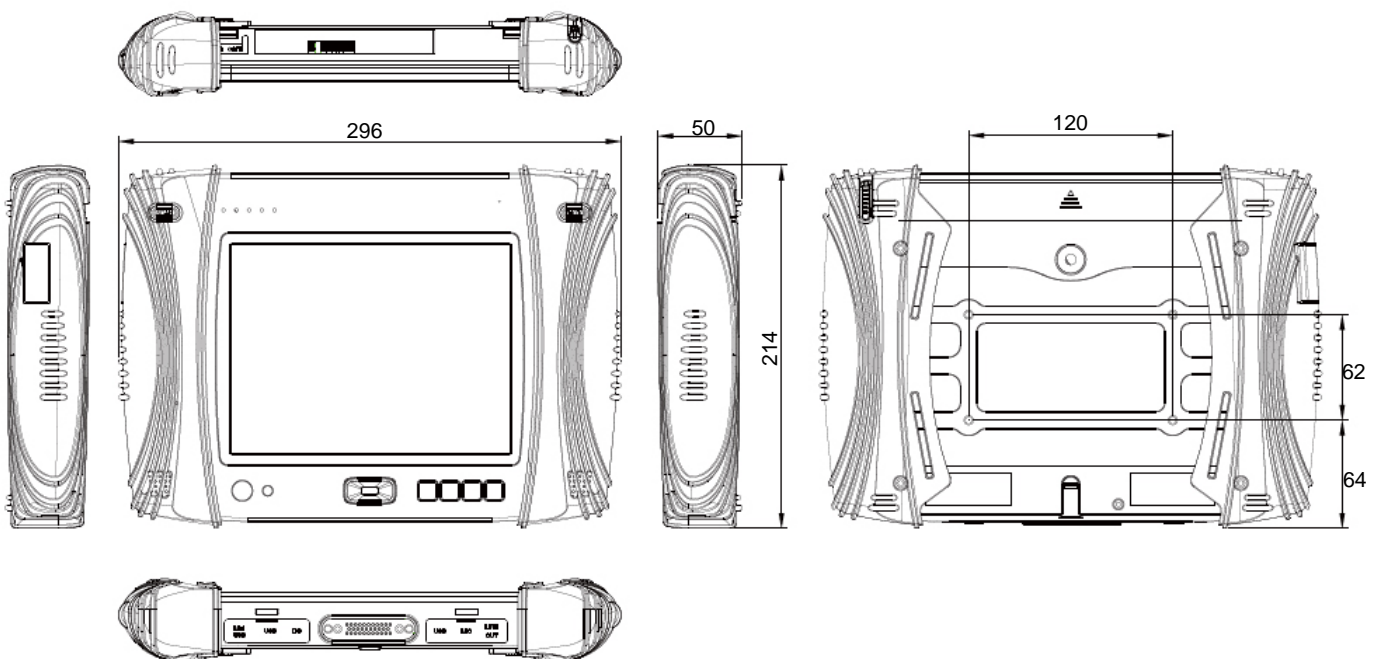
## PKHS1250/-1



### Certifications

- CE approval
- FCC Class B

### Dimension Drawing



### Ordering information

PKHS1250 DeltaTablet-PC2300S-Rugged, 8" LCD-TFT Touch  
Intel Atom N450 1.6GHz, 1GB RAM, 8GB SSD

PKHS1250-1 DeltaTablet-PC2300H-Rugged, 8" LCD-TFT Touch  
Intel Atom N450 1.6GHz, 1GB RAM, 120GB HDD