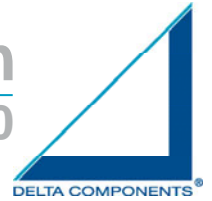


DeltaTablet-PC Vehicle Docking Station

PKHZ1100



Main Features

- Wide range voltage support from 9 to 36V for vehicle application
- Support 2x USB 2.0, 1x COM and 10/100 Ethernet LAN
- IP67 water proof I/O connectors cover tough environment application
- Support VESA mount for variety installation

Technical Specifications

I/O ports

- 2x USB 2.0 (IP67 and lockable connector)
- 1x RS232
- 1x LAN 10/100 base-T port (IP67 and lockable connector)
- 1x internal mini card socket
- DC-in 9-36V power input (IP67 and lockable connector)
- 32-pin PoGo connector
- 2x antenna hole (reserved for SMA type connectors)

LED indicators and switch

- 5 LED indicators for power, LAN connection, LAN access, WLAN and Lock
- Two switch to lock/unlock the system to dock

Mounting hole

- RAM-202 bases with C size (1.5" diameter) ball, standing up to 4.5 kgs
- VESA 75 (75 x 75 mm)

Dimensions and Weight

- Dimensions: 296mm x 268mm x 109mm
- Weight: 2.5kg

Enclosure

- Plastic (ABS+PC)
- Aluminum Alloy (ADC-12)

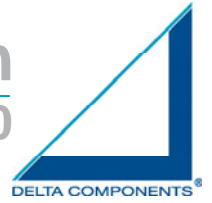
Environment

- Operating temperature: -20°C to 50°C
- Relative humidity: 5% to 95% (non-condensing)

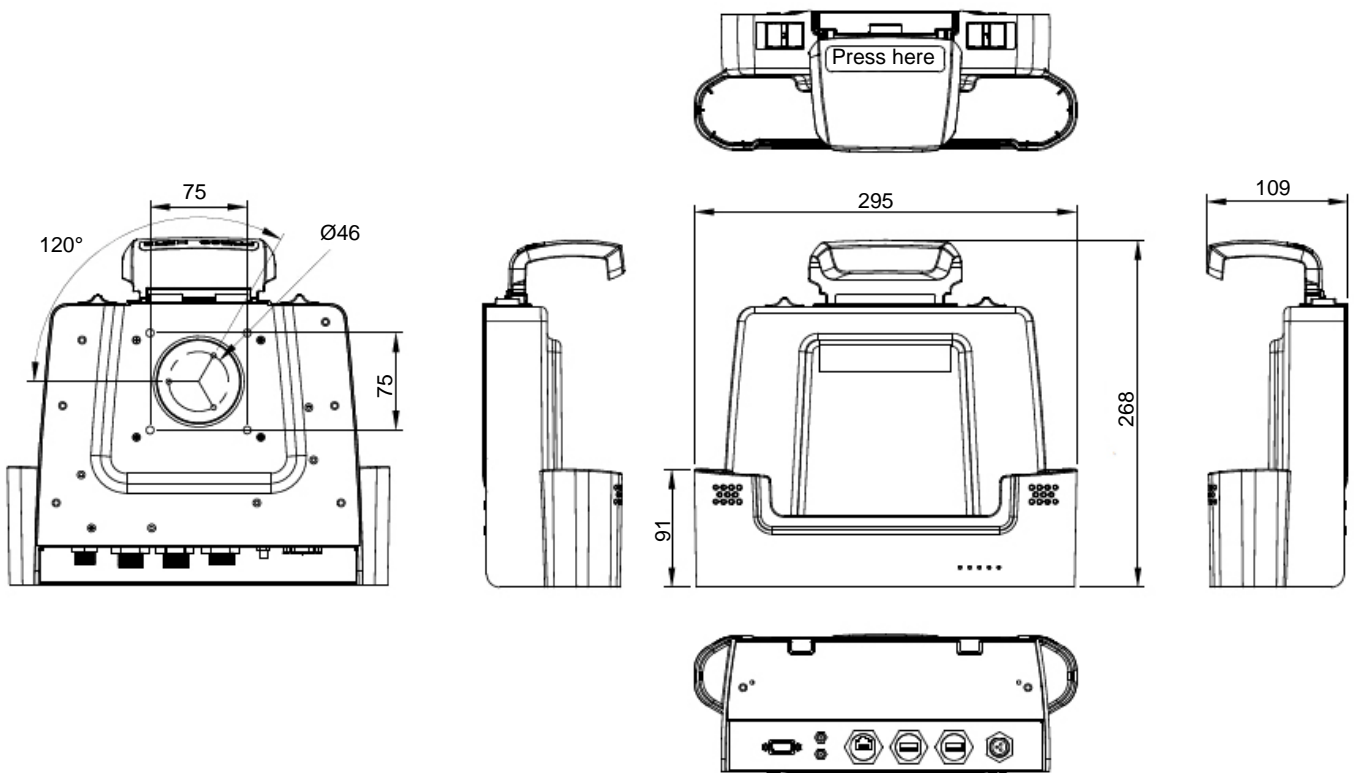
Certifications

- CE approval
- FCC Class B

DeltaTablet-PC Vehicle Docking Station PKHZ1100



Dimension Drawing



Ordering information

PKHZ1100 DeltaTablet-PC Vehicle Docking Station
Accessories for PKHS12xx DeltaTablet-PC 2xxx