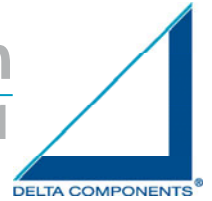


DeltaTablet-PC Desktop Docking Station PKHZ1101



Main Features

- Providing 4x USB ports (can connect favorite peripherals)
- Support 1x Giga Ethernet
- A rear loading battery charger enables charging DeltaTablet-PC series and 1x additional battery pack at the same time
- Adjustable rubber feet of cradle ensure the optimal viewing angle
- Providing flexible optional I/O, e.g memory card slot or COM port to fulfill various applications

Technical Specifications

I/O ports

- 4x USB 2.0 ports (Max.)
- 1x LAN 10/100/1.000 base-T Port
- 1x Memory card slot, support SD, xD, MS and SM (optional)*
- 1x RS232 (optional)*
- * Occupy 1x USB2.0 port; System USB port (rear side)

Power input

- Power Input Voltage: DC19V/ 3.42A
- Batteries Charger:
Enable charging both DeltaTablet-PC series and additional battery pack at the same time
Support 1 slot battery charging

5 LED indicators

- Power LED)
- Plug-in LED
- LAN Link
- LAN Access
- Battery status LED

Dimensions

- 235.7 x 207 x 150 mm

Enclosure

- Plastic (ABS+PC)
- Metal (SECC)

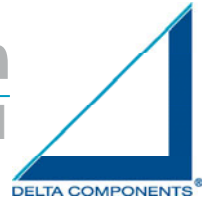
Environment

- Operating temperature: -20°C to 50°C
- Relative humidity: 5% to 95%, RH non-condensing

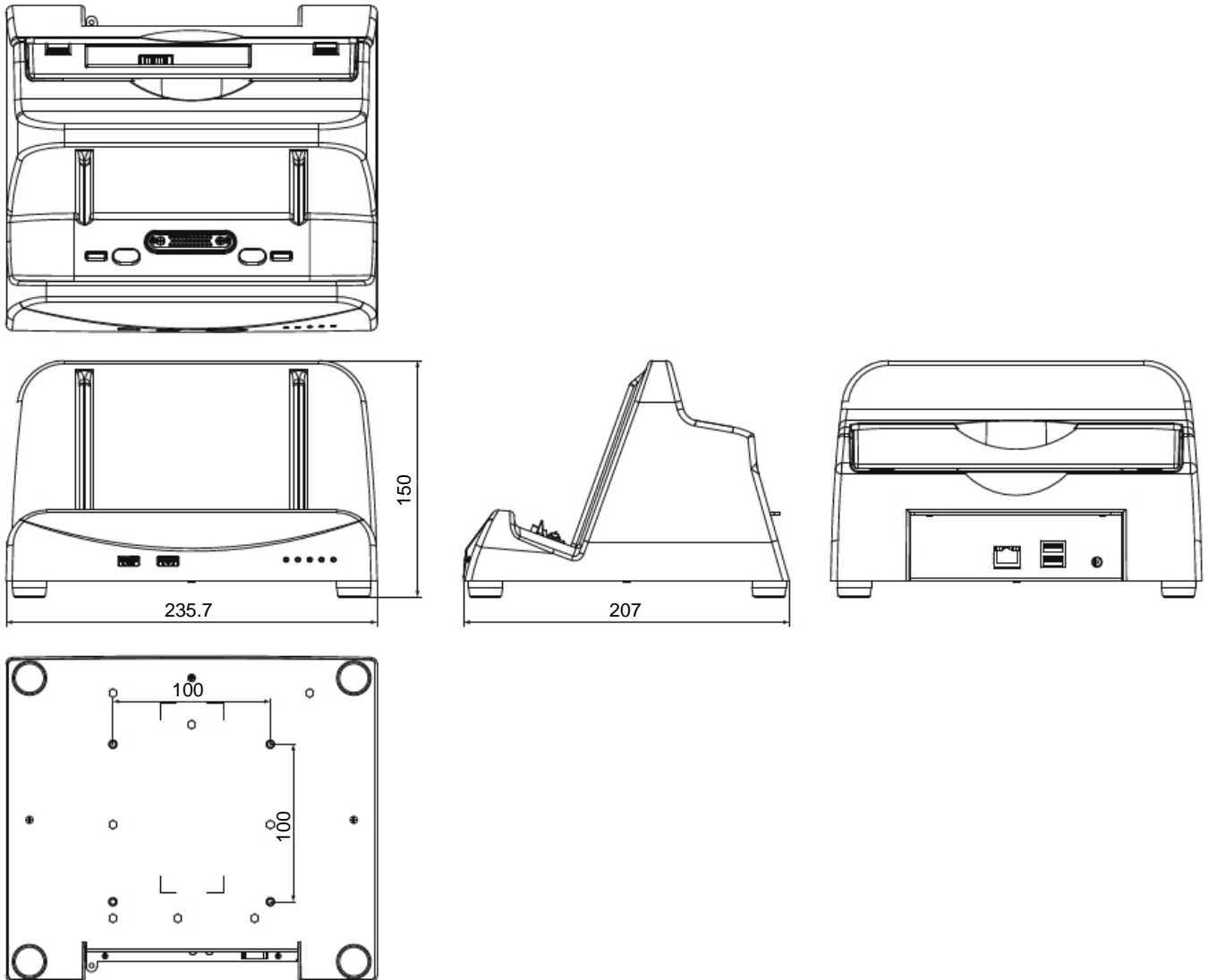
Certifications

- CE approval
- FCC Class B

DeltaTablet-PC Desktop Docking Station PKHZ1101



Dimension Drawing



Ordering information

PKHZ1101 DeltaTablet-PC Desktop Docking Station
Accessories for PKHS12xx DeltaTablet-PC 2xxx