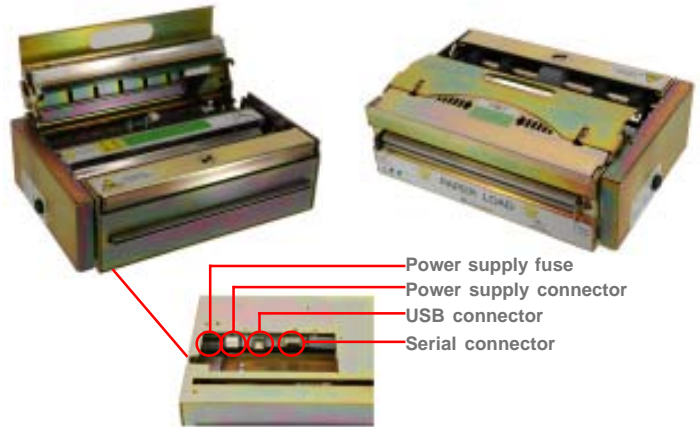


Thermal printer A4/US Letter

PZDM1000/PZDM1002



Thermal printer with paper roll holder kit



Connectors on the bottom side

Power supply fuse
Power supply connector
USB connector
Serial connector

Technical Specifications

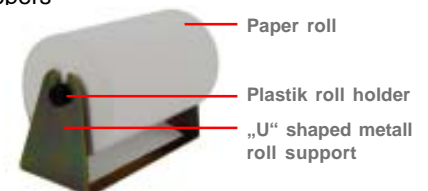
Printing method	Thermal, 8 dots/mm fixed head / Thermal, 12 dots/mm fixed head
Resolution	203 dpi / 300dpi
Printing speed*	Low speed 50 mm/sec, Normal speed 100 mm/sec, High speed 125 mm/sec
Paper width	210 mm / 216 mm (8,5" - letter)
Roll dimension	Ø 180mm max.
Print direction	Straight, 90°, 180°, 270°
Print formats	Normal, 1x to 8x height and width, reverse, underscored, italic, bold
Characters set	PC437, PC850, PC860, PC863, PC865, International
Interfaces	RS232 + USB or RS232 + Centronics
Baud rate	1200 bps - 230400 bps
Data buffer	19 Kbyte
Flash memory	1 Mbyte
Graphics memory	5 logos of 1.600 x 327 dots / 5 logos of 2.368 x 221
Drivers	Windows 95/ 98/ me/ NT4/ 2K/ XP; Linux
Power supply	21 – 27 Vdc 10% (optional external power supply)
Power consumption	8 A/9A
MTBF	250.000 hours
Dimension	270 x 190 x 90 mm

Options

Hardware	Paper roll support (=sensors: paper end, last ticket, black mark, ticket availability), 90° paper output (e.g. for vertical mounting)
Software	Font Editor; Logo Editor, Status Monitor, DLL for developers

Accessory

Paper roll holder kit	„U“ shaped metal roll support, plastic roll holder and paper roll OD140mm
------------------------------	---



*Depending on power supply utilized.

Ordering Information:

PZDM1000	KPM210/216 Thermal printer A4/US Letter 203dpi, Thermal 8 dots/mm, RS232 und USB, Autocutter Vin: +24VDC
PZDM1002	KPM210/216 Thermal printer A4/US Letter 300dpi, Thermal 12 dots/mm, RS232 und USB, Autocutter Vin: +24VDC
PZDM1001	Paper roll holder kit for thermal printer KPM210/216 „U“ shaped metall roll support, plastic roll holder and paper roll OD 140mm

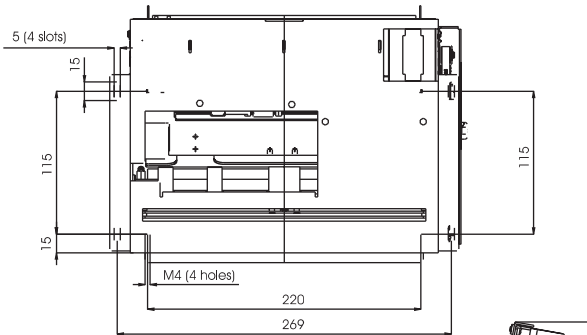


Thermal printer A4/US Letter

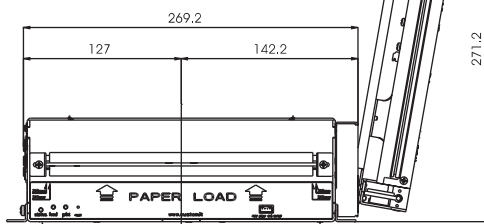
PZDM1000/PZDM1002

Block diagrams

BOTTOM VIEW

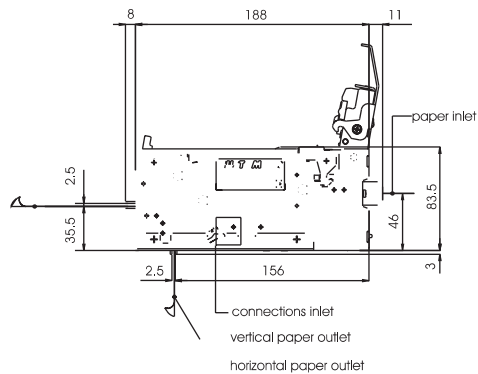


PAPER INLET SIDE VIEW

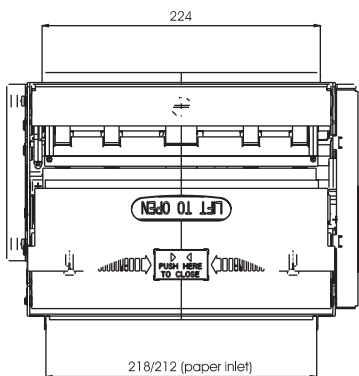


Overall Dimensions (mm)

SIDE VIEW



TOP VIEW



Paper flow

