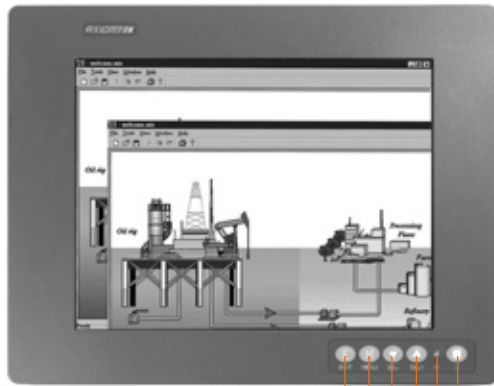
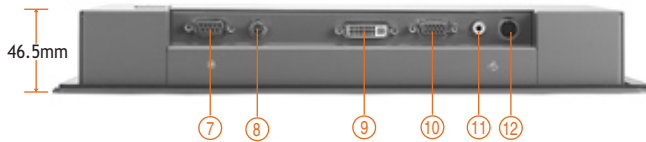


PANEL6122

12.1" TFT Industrial LCD Monitor



1. Exit
2. Menu
3. SEL-
4. SEL+
5. Power LED
6. Power switch



7. T/S port (D-sub optional)
8. DC power input
9. DVI
10. VGA
11. Video
12. S-video

Features

- 12.1" TFT 400 nits high brightness SVGA LCD
- NEMA 4/12 (IP65)- compliant panel mounting flat panel monitor (PANEL6122-P)
- Resistive and capacitive types of touchscreen
- Supports full range screw-type (locked) AC-in or 24V DC-in (option)
- Supports multi-signal inputs: VGA, S-video, video and DVI
- Supports panel mount, wall mount and VESA arm



Side view

Introduction

The PANEL6122 is an ultra slim industrial LCD monitor equipped 12.1-inch 400 nits high brightness SVGA LCD display and supports multi-signal interfaces including DVI, VGA, S-Video, and Video. Featuring NEMA4/IP65 compliant front bezel, screw-type adaptor plug design, and 12/24V DC-In means it is fit for all kinds of industrial environments. Moreover, the PANEL6122 supports panel, wall or VESA FPMPMI (Video Electronics Standards Association Flat Panel Monitor Physical

Mounting Interface) mounting. With the compact mechanism design, users can enjoy free from space constraint. In order to provide more flexible configurations, the open frame option is available as well. The PANEL6122 is especially suitable for POI/POS, excellent HMI and all kinds of heavy-duty industrial fields.

Specifications

Front Bezel	NEMA 4/12 (IP65)-compliant, metal front bezel	Display Control	OSD (on screen display)	
Mounting	Panel mounting, wall mounting or VESA FPMPMI mounting (video electronics standards association Flat Panel monitor physical mounting interface)	Display Mode	VGA 640 x 480 (60/72Hz) SVGA 800 x 600 (60/72Hz)	
LCD Panel	Display Type	12.1" TFT LCD	Input Signal	
	Max. Resolution	800 x 600		Video
	Max. Colors	16.2M/262k		S-Video
	Active Area (mm)	246 x 184.5		DVI
	Pixel Pitch (mm)	0.3075 x 0.3075	Touchscreen: Serial RS-232 or USB (for resistive)	
	Response Time	35ms	I/O Connectors	
	Backlight	2 CCFL		1 x RS-232 or USB for touchscreen version
	Backlight MTBF	50,000 hrs		1 x VGA input
	Viewing Angle (H/V)	140° / 110°		1 x RCA for video
	Contrast Ratio	600 (TYP.)		1 x S-Video for video
	Brightness (cd/m ²)	400 nits		1 x DVI
		1 x Screw-type DC power input		

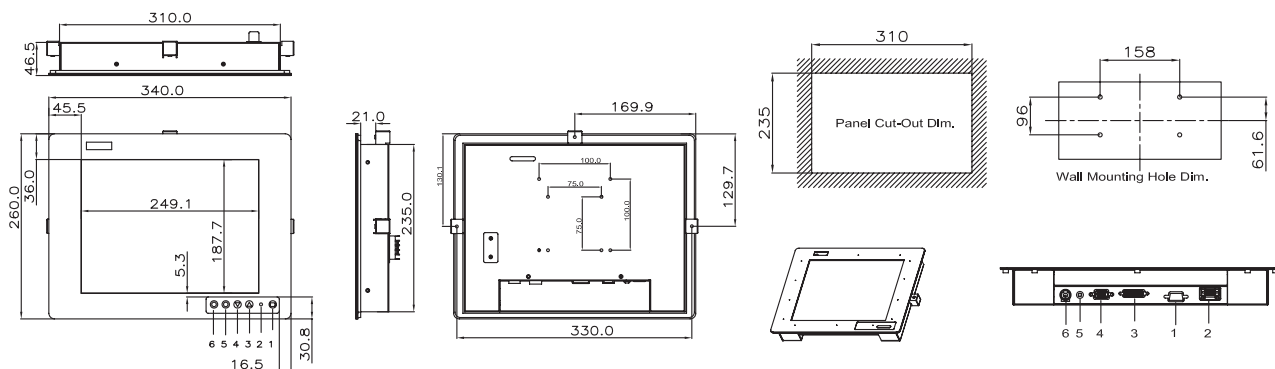
Power Adapter	Screw-type external AC / DC power adapter	
Touchscreen	Thickness	Resistive: 2.2mm Capacitive: 2.4mm
	Light Transmission	Resistive: 80% Capacitive: 90%
	Power	Resistive: +5V @ 100mA
	Consumption	Capacitive: +5V @ 100mA
	Touch Life	Resistive: 35million touches Capacitive: 200million touches Controller interface: RS-232 D-type 9-pin male connector or USB connector (for resistive)
Dimensions	PANEL6122-P: 340 mm (13.3") (W) x 46.5 mm (1.8") (D) x 260 mm (10.2") (H) PANEL6122-O: 340 mm (13.3") (W) x 45.3 mm (1.7") (D) x 260 mm (10.2") (H)	
Weight (net/gross)	3.0 kg (6.61 lb)/6.6 kg (14.55 lb)	
Environment	Operating temperature: -10°C ~ +55°C (14°F ~ 131°F) Storage temperature: -20°C ~ +60°C (-4°F ~ +140°F) Relative humidity: 20% ~ 90%, non-condensing	
Certification	CE	

Ordering Information

PANEL6122		
AC Power	Panel Mount Monitor	
	Resistive	PANEL6122PR-AC
	Glass	PANEL6122PG-AC
24V _{dc} Power	Panel Mount Monitor	
	Resistive	PANEL6122PR-24V _{dc}
	Glass	PANEL6122PG-24V _{dc}
PANEL6122L		
AC Power	Panel Mount Monitor	
	Resistive (RS-232)	PANEL6122LPR-AC
	Glass	PANEL6122LPG-AC

* Specification and certifications are based on options and may vary.

Dimensions



Optional Accessories

ARM-VM-101	VESA ARM (clamp type)
ARM-VM-105	VESA ARM (wall mount type)
Wall mounting & desktop stand	



Stand kit



Various mounting ways
Panel/ Wall/ VESA



Screw-type power input



Phoenix-type power input