

Axiallüfter

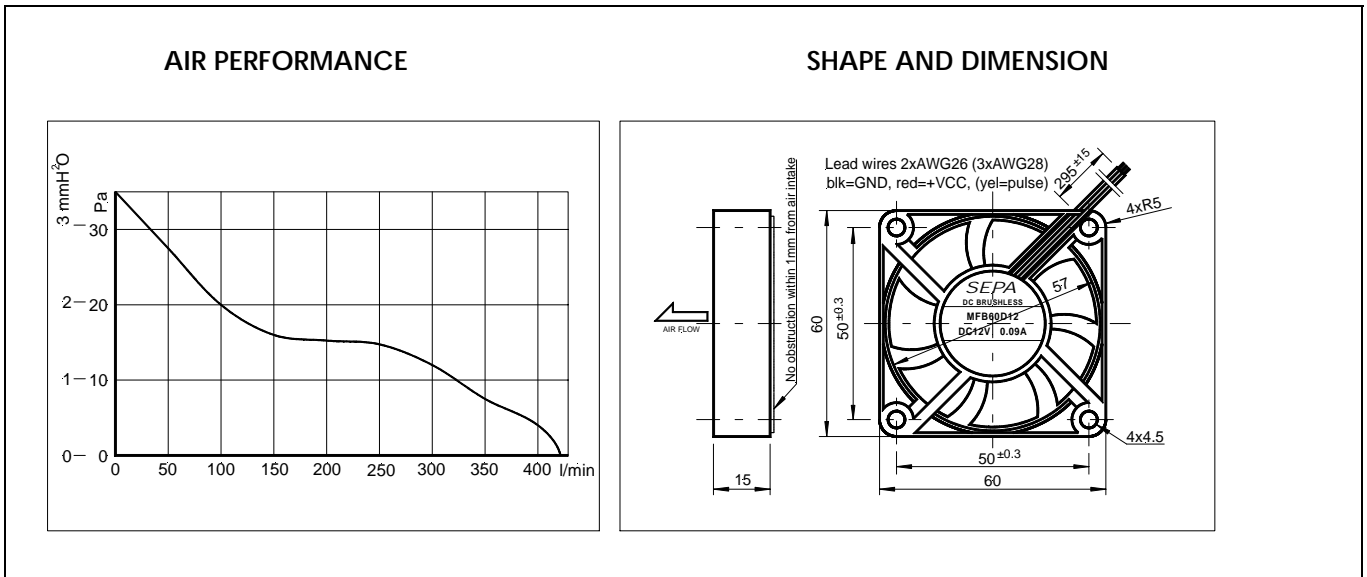
BPKL1058-R/1059-R/1066-R/1067-R/1068-R



MFB60D05, MFB60D12, MFB60D24



HIGH RELIABILITY FAN



PERFORMANCE

CE	MFB60D05(A)	MFB60D12(A)	MFB60D24(A)
Operating Voltage [VDC]	4.5 ... 5.0 ... 5.5	10.2 ... 12 ... 13.8	20.4 ... 24 ... 27.6
Operating Current [mA]	180	90	50
Start Current [mA]	500	200	110
Max. Air Flow [l/min - m ³ /h]	420 - 25.2	420 - 25.2	420 - 25.2
Max. Air Pressure [mmH ₂ O - Pa]	3.6 - 35	3.6 - 35	3.6 - 35
Typ. Noise @ 1m [dB(A)]	26	26	26
Operating Temperature [°C]	-10...+70(80)		
Rotor Speed [RPM]	3800	3800	3800
Life Expectancy L ₁₀ /MTBF @ 20° [h]	95000/280000		
Bearing System	Ball Bearings ZZ / Steel Flange		
Weight [g]	38		
Pulse Output (MFB60DxxA only)	2 pulse / rev.		
Packing Quantity [PCs]	50 - 100 - 250		

This high-tech miniature fans are suitable for industrial use and has a remarkable air flow performance despite its small dimensions. Due to a nearly linear air performance characteristic, the fans are applicable for different uses. They are permanently protected electrically against reverse polarity, blocking and thermal overloading. Due to the low rotor weight and precision balancing, it is virtually vibration-free. It is also insensitive to shock.

Further features of these fans are its extremely robust and torsionally rigid plastic housing of PBT (UL E54695), ball bearings with narrow tolerances, of special steel, polyester-based PCB (UL E44247) and absolute reliability due to 100% burn-in.

Technical changes without notice
03/06

• **Alarm Signal (Optional)**

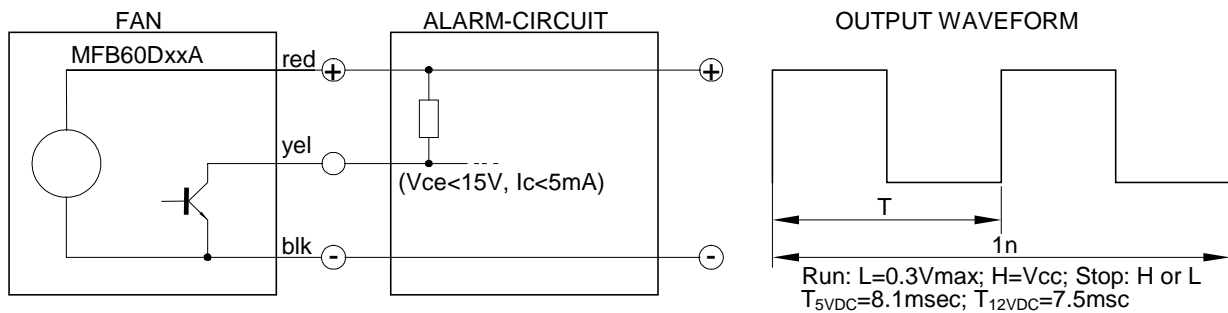
The MFB60DxxA include a speed impulse output, which enables monitoring the correct function of the fan. An alarm-board is available on request.

The pulse is like a rectangular wave, the frequency correlates to 2 x rotor speed. At blocked rotor the output signal could be L ($\leq 0.3V$) or H (V_{cc}).

IMPORTANT: The pulse output is *not* protected against short circuit and must not connect to GND or V_{cc} without series-resistor. A pull-up-resistor is permitted.

Do not connect pulse output wire to GND or V_{cc} (insolate).

The MFB60Dxx(A) have tinned lead wire ends (without connector).



IMPORTANT: Do not touch the impeller!

• **Accessories:**

ALG01 ALARM, monitor-circuit, generates an acoustic signal in case of missing pulses.
CONNECTOR on request

• **Order information:**

Artikel Nr.

MFB60D05	Axial Fan, 60x60x15mm, 5VDC, ball bearing, CE	
MFB60D0	Axial Fan, 65x60x15mm, 5VDC, pulse, ball bearing, CE	BPKL1058-R
MFB60D12	Axial Fan n, 60x60x15mm, 12VDC, ball bearing, CE	BPKL1059-R
MFB60D12A	Axial Fan, 65x60x15mm, 12VDC, pulse, ball bearing, CE	BPKL1066-R
MFB60D24	Axial Fan, 60x60x15mm, 12VDC, ball bearing, CE	BPKL1067-R
MFB60D24A	Axial Fan, 65x60x15mm, 12VDC, pulse, ball bearing, CE	BPKL1068-R