

# LCC-20M2, LCD Character Module 20 x 2



## ■ FEATURES

- ◆ 5 x 7 DOTS WITH CURSOR
- ◆ BUILT-IN CONTROLLER (KS0066 OR EQUIVALENT)
- ◆ 5 V POWER SUPPLY
- ◆ 1/16 DUTY CYCLE
- ◆ 4.2 V LED FORWARD VOLTAGE

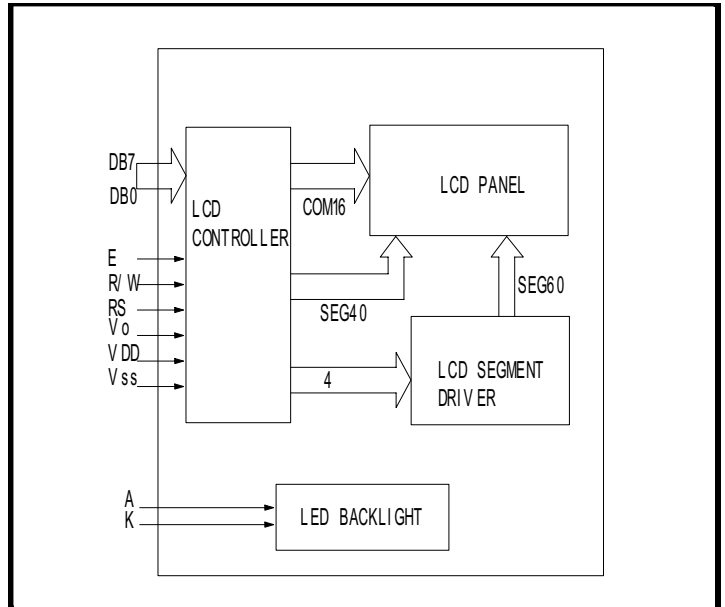
## ■ ELECTRICAL CHARACTERISTICS

ITEM	SYMBOL	CONDITION	MIN.	TYP.	MAX.	UNIT
LCD Operating Voltage	$V_{DD-Vo}$	$T=0^{\circ}C$	-	4.8	-	V
		$T=25^{\circ}C$	-	4.5	-	V
		$T=50^{\circ}C$	-	4.2	-	V
Supply Voltage	$V_{DD-Vss}$	-	4.7	5	5.3	V
Supply Current	$I_{DD}$	-	-	3.2	6	mA
Input Voltage	"HIGH" Level	$V_{IH}$	-	2.2	-	$V_{DD}$ V
	"LOW" Level	$V_{IL}$	-	0	-	0.6 V
Output Voltage	"HIGH" Level	$V_{OH}$	-	2.4	-	V
	"LOW" Level	$V_{OL}$	-	-	-	0.4 V

## ■ MECHANICAL DATA

ITEM	DIMENSIONS	UNIT
Module Size (W x H x T)	180.0 x 40.0 x 14.5	mm
Viewing Area (W x H)	149.0 x 23.0	mm
Character Size (W x H)	6.00 x 9.66	mm
Character Pitch (W x H)	7.20 x 10.98	mm
Dot Size (W x H)	1.12 x 1.12	mm
Dot Pitch (W x H)	1.22 x 1.22	mm

## ■ BLOCK DIAGRAM



## ■ INTERFACE PIN CONNECTIONS

NO.	SYMBOL	FUNCTION	NO.	SYMBOL	FUNCTION
1	Vss	Supply Ground	9	DB2	Data Bit 2
2	VDD	Supply Voltage	10	DB3	Data Bit 3
3	Vo	Contrast Adj.	11	DB4	Data Bit 4
4	RS	Register Select	12	DB5	Data Bit 5
5	R/W	Read/Write	13	DB6	Data Bit 6
6	E	Enable Signal	14	DB7	Data Bit 7
7	DB0	Data Bit 0			
8	DB1	Data Bit 1			

## ■ EXTERNAL DIMENSIONS

