

LCC-40E4, LCD Character Module 40 x 4



■ FEATURES

- ◆ 5 x 7 DOTS WITH CURSOR
- ◆ BUILT-IN CONTROLLER (KS0066 OR EQUIVALENT)
- ◆ 5 V POWER SUPPLY
- ◆ 1/16 DUTY CYCLE
- ◆ 4.2 V LED FORWARD VOLTAGE

■ ELECTRICAL CHARACTERISTICS

ITEM	SYMBOL	CONDITION	MIN.	TYP.	MAX.	UNIT
LCD Operating Voltage	$V_{DD}-V_o$	$T=0^{\circ}\text{C}$	-	4.8	-	V
		$T=25^{\circ}\text{C}$	-	4.5	-	V
		$T=50^{\circ}\text{C}$	-	4.2	-	V
Supply Voltage	$V_{DD}-V_{SS}$	-	4.7	5	5.3	V
Supply Current	I_{DD}	-	-	5.2	10.8	mA
Input Voltage	"HIGH" Level	V_{IH}	-	2.2	-	V_{DD} V
	"LOW" Level	V_{IL}	-	0	-	0.6 V
Output Voltage	"HIGH" Level	V_{OH}	-	2.4	-	V
	"LOW" Level	V_{OL}	-	-	-	0.4 V

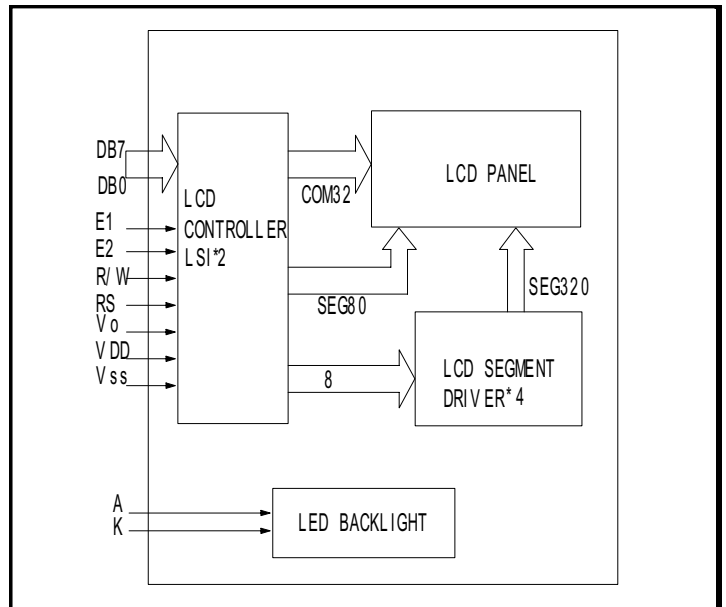
■ MECHANICAL DATA

ITEM	DIMENSIONS	UNIT
Module Size (W x H x T)	288.3 x 77.5 x 17.0	mm
Viewing Area (W x H)	260.0 x 56.6	mm
Character Size (W x H)	5.16 x 10.52	mm
Character Pitch (W x H)	6.25 x 13.62	mm
Dot Size (W x H)	1.00 x 1.28	mm
Dot Pitch (W x H)	1.04 x 1.32	mm

■ INTERFACE PIN CONNECTIONS

NO.	SYMBOL	FUNCTION	NO.	SYMBOL	FUNCTION
2	NC	No Control	15	DB2	Data Bit 2
3	E2	Enable IC2	17	DB3	Data Bit 3
4	V_o	Contrast Adj.	19	DB4	Data Bit 4
5	R/W	Read/Write	20	V_{SS}	Supply Ground
7	RS	Register Select	21	DB5	Data Bit 5
9	E1	Enable IC1	22	V_{DD}	Supply Voltage
11	DB0	Data Bit 0	23	DB6	Data Bit 6
13	DB1	Data Bit 1	25	DB7	Data Bit 7

■ BLOCK DIAGRAM



■ EXTERNAL DIMENSIONS

