

# LCC-8D2, LCD Character Module 8 x 2

## FEATURES

- ◆ 5 x 7 DOTS WITH CURSOR
- ◆ BUILT-IN CONTROLLER (KS0066 OR EQUIVALENT)
- ◆ 5 V POWER SUPPLY
- ◆ 1/16 DUTY CYCLE
- ◆ 4.2 V LED FORWARD VOLTAGE

## MECHANICAL DATA

ITEM	DIMENSIONS	UNIT
Module Size (W x H x T)	48.0 x 42.0 x 8.4 ( 12.8 LED )	mm
Viewing Area ( W x H )	38.0 x 16.0	mm
Character Size ( W x H )	2.96 x 5.56	mm
Character Pitch ( W x H )	3.55 x 5.94	mm
Dot Size ( W x H )	0.56 x 0.66	mm
Dot Pitch ( W x H )	0.60 x 0.70	mm

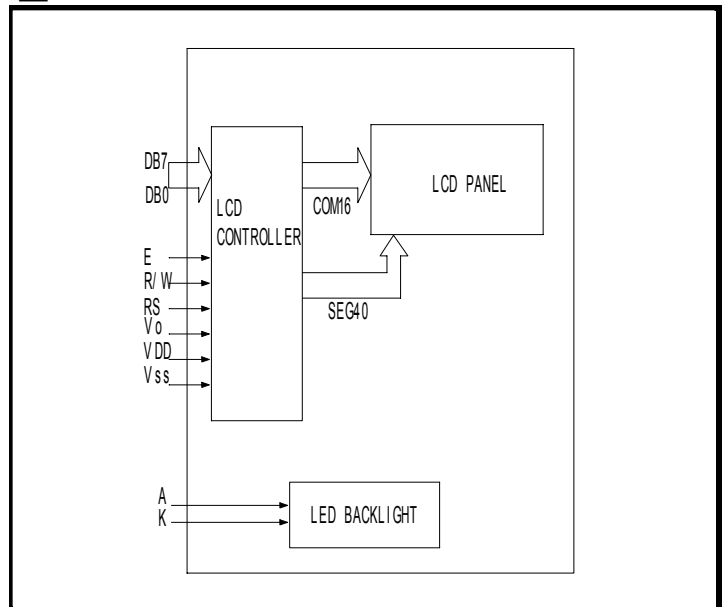
## INTERFACE PIN CONNECTIONS

NO.	SYMBOL	FUNCTION	NO.	SYMBOL	FUNCTION
1	Vss	Supply Ground	9	A	LED Power
2	DB0	Data Bit 0	10	DB4	Data Bit 4
3	K	LED Power	11	E	Enable Signal
4	DB1	Data Bit 1	12	DB5	Data Bit 5
5	VDD	Supply Voltage	13	R/W	Read/Write
6	DB2	Data Bit 2	14	DB6	Data Bit 6
7	Vo	Contrast Adj.	15	RS	Register Select
8	DB3	Data Bit 3	16	DB7	Data Bit 7

## ELECTRICAL CHARACTERISTICS

ITEM	SYMBOL	CONDITION	MIN.	TYP.	MAX.	UNIT
LCD Operating Voltage	V <sub>DD-Vo</sub>	T=0°C	-	4.8	-	V
		T=25°C	-	4.5	-	V
		T=50°C	-	4.2	-	V
Supply Voltage	V <sub>DD-Vss</sub>	-	4.7	5	5.3	V
Supply Current	I <sub>DD</sub>	-	-	1.2	2.5	mA
Input Voltage	"HIGH" Level	V <sub>IH</sub>	-	2.2	-	V <sub>DD</sub> V
	"LOW" Level	V <sub>IL</sub>	-	0	-	0.6 V
Output Voltage	"HIGH" Level	V <sub>OH</sub>	-	2.4	-	V
	"LOW" Level	V <sub>OL</sub>	-	-	-	0.4 V

## BLOCK DIAGRAM



## EXTERNAL DIMENSIONS

