

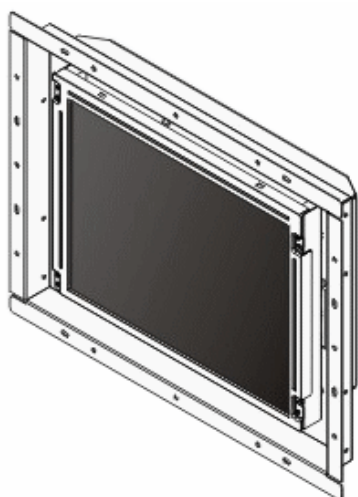
10.4" Open Frame Monitor

t.b.d.



The 10.4" Open Frame Monitor, built-in 800 nits high brightness for sunlight readable application. Features wide operating temperature, high brightness, AOT optical bonding, touch screen capable, and customized mechanical design; fulfill the demand for extreme environments. It offers the best visibility, performance and cost

effective value. The high level of brightness together with fast response time and LED backlight technology, the monitor brings remarkable display quality. And guaranteeing product life cycle longevity, stability, and reliability. Perfectly suitable for kiosk, ATM, POS, marine, military, medical, transportation, and outdoor industrial application.



Main Features

- Sunlight readable
- LED backlight
- High shock and vibration resistance
- Low power consumption
- Wide temperature range (-20°C to 60°C)
- High uniformity (90%)
- Low EMI noise
- Wide dimming
- Life expectancy (70.000 hrs)

Technical Specifications

Display features

- Description: 10.4" Open Frame LCD Display, LED Backlight
- 800 nits, XGA
- Display Area: 210.4 x 157.8 mm
- Brightness: 800 cd/m²
- Resolution: 1.024 x 768 (XGA)
- Contrast Ratio: 1.200 : 1
- Pixel Pitch: 0.0685(H) x 0.2055(V) mm
- Viewing Angle: +88° to -88°(H), +88° to -88°(V)
- Display Colors: 16.2M
- Response Time: 40ms (Typical)
- Power Input: 12VDC
- Power Consumption: 21.2W
- Dimensions: 324x254x50 mm
- Weight: 2.2kg (net)

Control Board (Optional)

- Optional 1*: VGA+Audio
- Optional 2*: VGA+DVI
- Optional 3*: VGA+CVBS+S-Video+Audio (Optional DVI/Component)
- Optional 4*: VGA+DVI (Optional S-Video/Component/Audio)

F/R Control Button

- 5 Key: Power Switch, Menu, Select (+,-), Auto
- 4 Key: Power Switch, Menu, Select (+,-)

OSD Menu

- Brightness, Contrast, H/V Position, Color, Phase, Clock

Optional

- AOT
- TouchScreen
- Waterproof

Applications

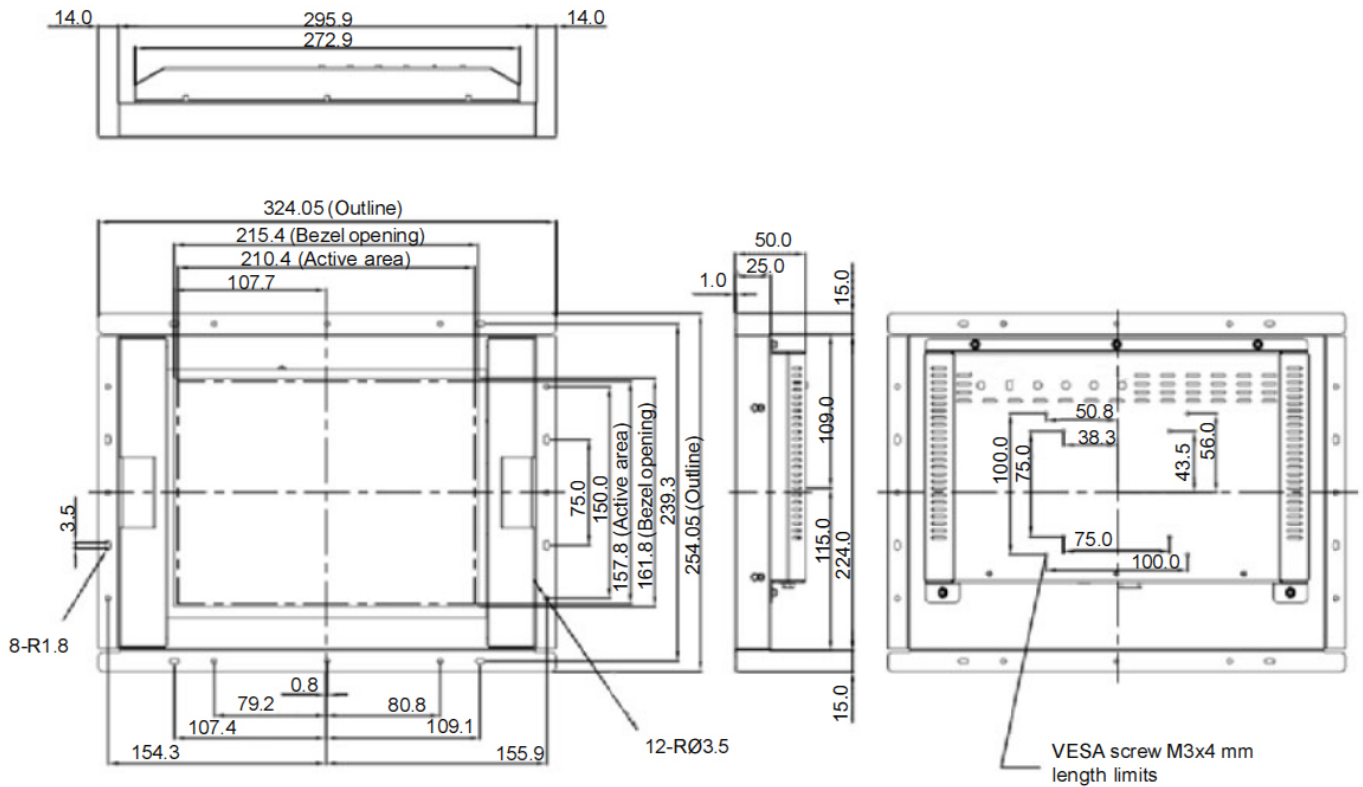
- Marine
- Military
- Medical
- Transportation
- Industrial

10.4" Open Frame Monitor

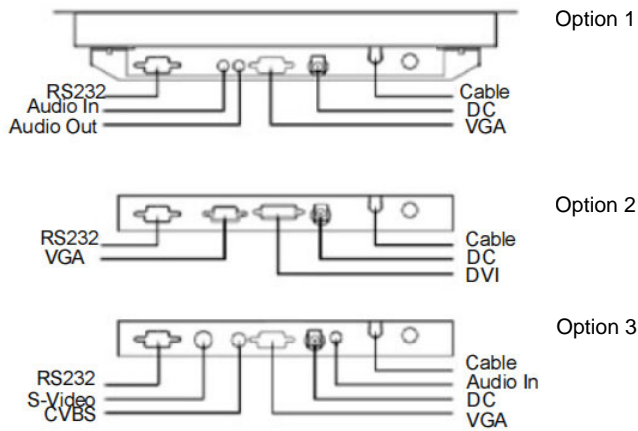
t.b.d.



Dimension Drawing



* Option 1, 2 and 3



Ordering Information

t.b.d. 10.4" Open Frame Monitor w/o TouchScreen
LED Backlight, 800 nits, XGA resol. VGA, light sensor