

19" Open Frame Monitor

t.b.d.



The 19" Open Frame Monitor, built-in 1.600 nits high bright for sunlight readable LCD display, high transmittance color filter, high transmission

polarizing plates, Low Power Consumption, suitable for kiosk, advertising, POS, marine, transportation, gaming, studio display, gas pump.



Main Features

- Sunlight readable
- LED backlight
- SXGA (1.280x1.024) high definition
- High shock and vibration resistance
- Smart Panel design (the thickness is only 36mm)
- High uniformity
- Low EMI noise
- Wide dimming
- Life expectancy

Technical Specifications

Display features

- Description: 19 Open Frame TFT LCD Display, LED Backlight, 1.600 nits, SXGA (1.280 x 1.024)
- Display Area: 376.3 x 301 mm
- Brightness: 1.600 cd/m²
- Resolution: 1.280x1.024 (SXGA)
- Contrast Ratio: 1.000:1
- Pixel Pitch: 0.294(H) x 0.294(V) mm
- Viewing Angle: +85° to -85°(H), +80° to -80°(V)
- Display Colors: 16.7M
- Response Time: 5ms (Typical)
- Sync: LVDS
- Power Input: 12VDC
- Power Consumption: 63W
- Dimensions: 429.2 x 327 x 36 mm
- Weight: 2.75kg (net)
- LED Driving Board

Control Board (Optional)

- VGA+Audio
- VGA+DVI
- VGA+CVBS+S-Video+Audio (Optional DVI/Component)
- VGA+DVI (Optional S-Video/ Component/Audio)

F/R Control Button

- 5 Key: Power Switch, Menu, Select (+,-), Auto
- 4 Key: Power Switch, Menu, Select (+,-)

OSD Menu

- Brightness, Contrast, H/V Position, Color, Phase, Clock

Optional

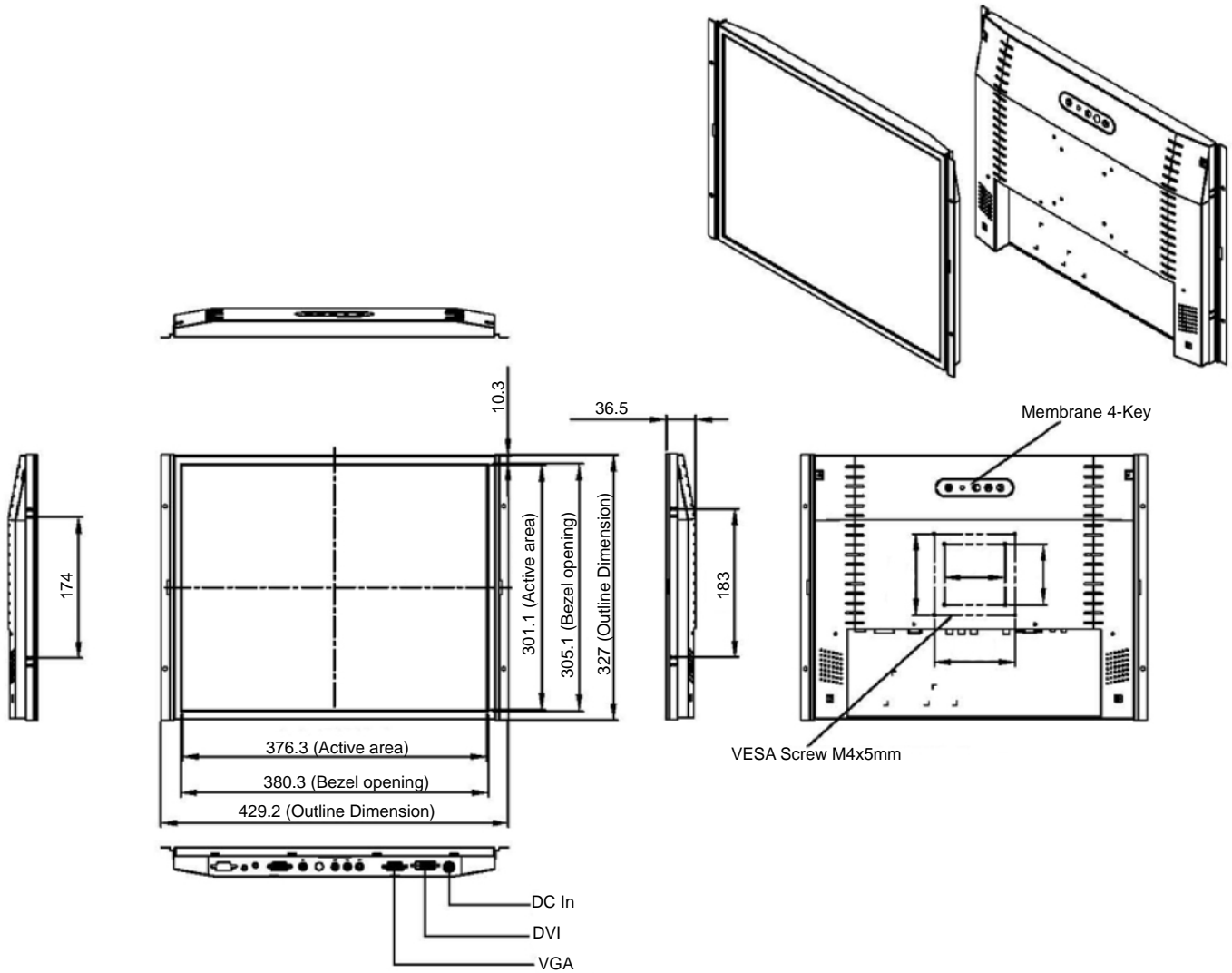
- AOT
- TouchScreen
- Waterproof

19" Open Frame Monitor

t.b.d.



Dimension Drawing



Ordering Information

t.b.d. 19" Open Frame Monitor, w/o TouchScreen
LED Backlight, 1.600 nits, SXGA resolution, VGA, DVI