

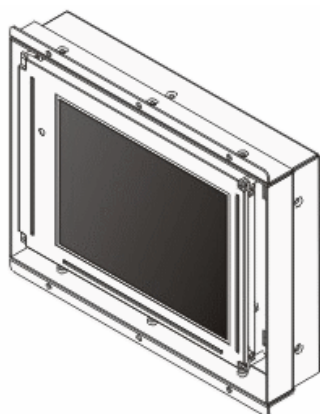
# 6.4" Open Frame Monitor

t.b.d.



The 6.4" Open Frame Monitor, built-in 1.000 nits high brightness for sunlight readable application. Features wide operating temperature, high brightness, AOT optical bonding, touch screen capable, and customized mechanical design; fulfill the demand for extreme environments. It offers the best visibility, performance and cost effective

value. The high level of brightness together with fast response time and LED backlight technology, the monitor brings remarkable display quality. And guaranteeing product life cycle longevity, stability, and reliability. Perfectly suitable for kiosk, ATM, POS, marline, military, medical, transportation, and outdoor industrial application.



## Main Features

- Sunlight readable
- LED backlight
- High shock and vibration resistance
- Low power consumption
- Wide temperature range (-20°C to 60°C)
- High uniformity (90%)
- TouchScreen (optional)
- VESA mounting 70/100

## Technical Specifications

### Display features

- Description: 6.4" Open Frame Monitor, LED Backlight 1.000 nits, VGA
- Display Area: 129.6 x 97.4 mm
- Brightness: 1.000 cd/m<sup>2</sup>
- Resolution: 640 x480 (VGA)
- Contrast Ratio: 400 : 1
- Pixel Pitch: 0.2025(H) x 0.203(V) mm
- Viewing Angle: 120°(H), 95°(V)
- Display Colors: 262K colors
- Response Time: 40ms (Typical)
- Power Input: 12VDC
- Power Consumption: 16W
- Dimensions: 200x165x47 mm
- Weight: 1.34kg (net)

### Control Board (Optional)

- Option 1\*: VGA+Audio
- Option 2\*: VGA+DVI
- Option 3\*: VGA+DVI (Optional S-Video/ Component / Audio)

### F/R Control Button

- 5 Key: Power Switch, Menu, Select (+,-), Auto
- 4 Key: Power Switch, Menu, Select (+,-)

### OSD Menu

- Brightness, Contrast, H/V Position, Color, Phase, Clock

### Optional

- AOT
- TouchScreen
- Waterproof

### Applications

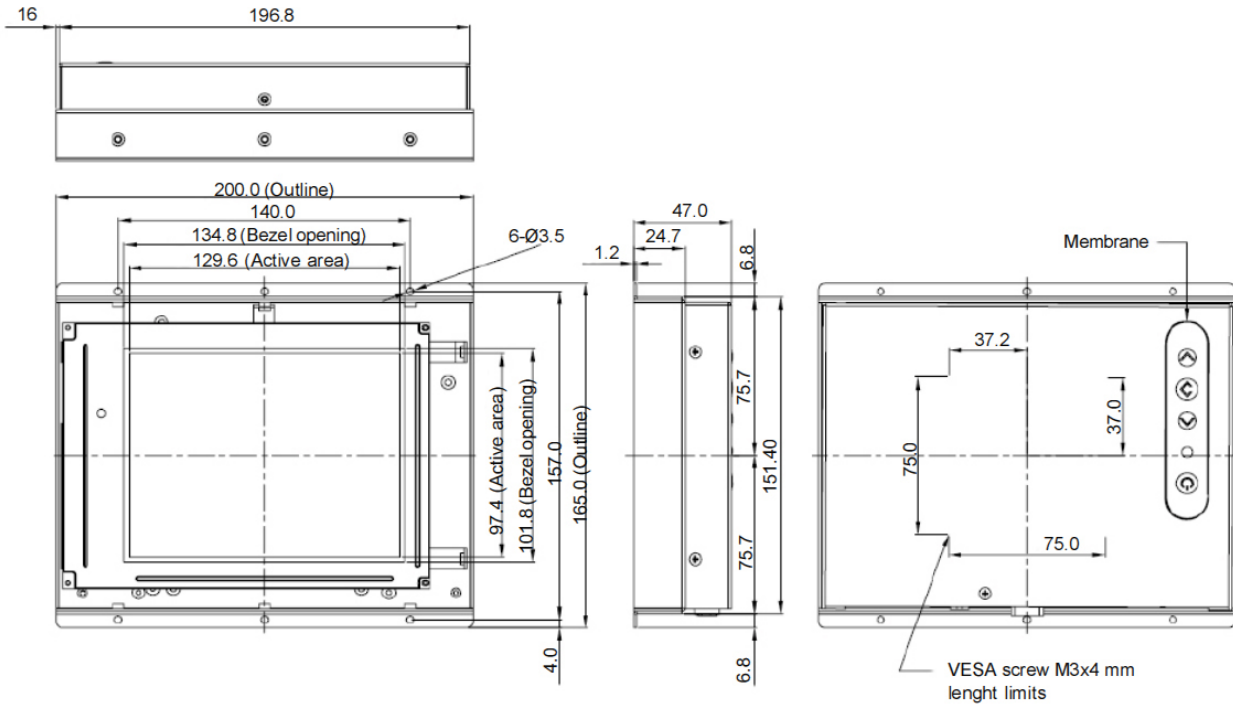
- Marline
- Military
- Medical
- Transportation
- Industrial

# 6.4" Open Frame Monitor

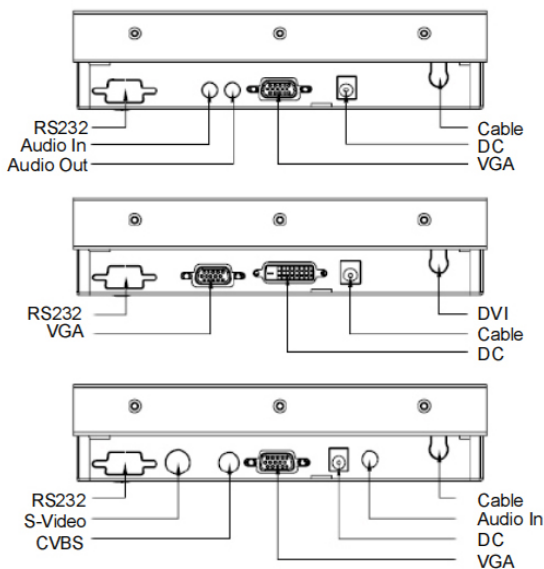
t.b.d.



## Dimension Drawing



\* Option 1, 2 and 3



## Ordering Information

t.b.d. 6.4" Open Frame Monitor  
LED Backlight, 1.000 nits, VGA resolution